

# Element sauna

## VARIANT VIEW

### INSTRUCTIONS FOR INSTALLATION

English

Mini

S1212SV

121 x 118 x 204 cm



Small

S1616SV

164 x 161 x 204 cm



EN

Medium

S1620SV

206 x 161 x 204 cm



Large

S2020SV

206 x 204 x 204 cm



# Table of Contents

<b>1. Preparing for installation</b>	<b>3</b>
1.1. Tools required	4
1.2. Maintenance and cleaning	5
1.3. Disposal	5
1.4. Parts list for Mini S1212SV and Small S1616SV	6
1.5. Parts list for Medium S1620SV and Large S2020SV	8
<b>2. Floor plan</b>	<b>10</b>
2.1. Variant View Mini S1212SV	10
2.2. Variant View Small S1616SV	10
2.3. Variant View Medium S1620SV	11
2.4. Variant View Large S2020SV	11
<b>3. Assembling the cabin</b>	<b>12</b>
3.1. Assembling the base frame	12
3.2. Assembling the cabin walls	12
3.3. Assembling the roof elements	12
3.4. Assembling the benches	12
3.5. Assembling the glass elements	13
3.6. Installing roof trim	13
3.7. Mounting the cover slats	13
3.8. Drill hole for electrical cable	13
3.9. Mounting the light	13
<b>Assembly illustrations (after last language)</b>	<b>15</b>

# 1. Preparing for installation

Read these assembly instructions carefully and keep them within reach when using the sauna so that you can look up product information at any time.



These assembly instructions can also be found in the customer service section of our website: [www.harvia.fi](http://www.harvia.fi).

## Important note:

- Before you begin work, check the parts list to ensure that all the individual parts have been delivered. If you discover any missing parts, notify your dealer within 14 days of receiving the sauna cabin.
- The room that the sauna is installed in must be dry and ensure an appropriate amount of air circulation.
- The floor must be level and even, preferably a stone or tiled floor.
- A minimum room height of 230 cm is required for the cabin installation work.
- A distance of at least 5 cm from the wall must be maintained.
- The inside of the wooden parts used must not be handled with any impregnating material.
- You need an assistant for the installation.
- Wood is a natural product that can swell, shrink or warp, despite good storage. For this reason, some force may be necessary during the installation.
- All screw fittings must be pre-drilled.

## Attention!

**The electrical connection may only be performed by a qualified electrician or similarly qualified person.**

## 1.1. Tools required

- Hammer with a wooden head or a mallet
- Cordless screwdriver with bits for cross-head screws and Torx
- Roller tape measure
- Drill bits with a diameter of 3 mm, 10 mm, 20 - 30 mm (for sauna heater power cable)
- Spirit level
- 1.5 mm hexagonal socket wrench
- Utility knife
- Ladder



This symbol indicates tips and useful information



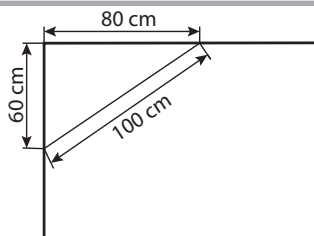
Pre-drill



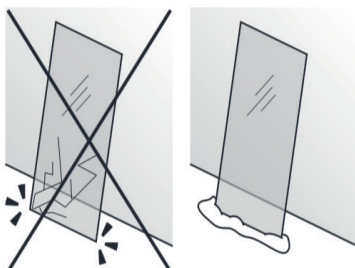
Nailing



Check the right angle:



Handle glass with care: Special care must be taken with the edges of the glass – hardened glass can shatter into small pieces in the event of impact. Insert protective cushioning (e.g: cardboard box) under the edge of the glass.



## 1.2. Maintenance and cleaning

- The sauna should be cleaned with a damp cloth. Only use warm water – no cleaning products.
- We recommend heating the cabin once a month if the sauna is not used for a long time.



Pitch pockets are not grounds for return, since they can always appear in spruce wood and the depth at which they lie cannot be detected during the sorting-out process.

If these are just under the surface, heat can cause them to soften and “bleed”.

The leaking pitch can be removed with a rag soaked in acetone. If only droplets of pitch occur, allow these to harden and then carefully scrape them off with a knife.

## 1.3. Disposal



- Dispose of packaging materials in accordance with the applicable waste disposal regulations.
- Used devices contain reusable materials as well as hazardous substances. Therefore, do not dispose of your used device with household waste, but do so in accordance with the locally applicable regulations.

## 1.4. Parts list for Mini S1212SV and Small S1616SV

Name	Pcs	Dimensions (mm)	Pcs	Dimensions (mm)
		<b>S1212SV</b>		<b>S1616SV</b>
<b>Base frame</b>				
Base frame	1	1097x68x44	1	1522x68x44
Base frame	1	1142x68x44	1	1567x68x44
Base frame ventilation aperture	1	1097x68x44	1	1522x68x44
<b>Wall elements</b>				
Wall elements 510	4	1900x510x75	2	1900x510x75
Electrical element 510	1	1900x510x75		
Ventilation element 510	1	1900x510x75	1	1900x510x75
Wall elements 935			2	1900x935x75
Electrical element 935			1	1901x935x75
<b>Corner posts</b>				
Corner post A	1	1949x85x45	2	1949x85x45
Corner post B	1	1949x73x45		
Corner post G	1	1900x92x91	1	1900x92x91
Corner post H	1	1900x92x79	1	1900x92x79
<b>Roof elements</b>				
Roof element	1	1144x1172x64	1	1597x883x64
Roof element			1	1597x686x64
Roof frame	2	1097x45x32	2	1521x45x32
Roof frame	1	970x45x32	1	1522x45x32
Roof frame			2	1394x45x32
Roof rim	2	1210x95x15	2	1605x15x95
Roof rim	2	1183x95x15	2	1633x15x95
<b>Corner covers</b>				
Inner roof corner trims	2	1002x18x15	2	1426x18x15
Inner roof corner trims	1	1018x18x15	1	1442x18x15
Inner corner trim	2	1018x20x20	2	1018x20x20
Outer corner covers	2	1900x80x15	2	1900x80x15
Outer corner covers	1	1900x67x15	1	1900x67x15
Outer corner covers	1	1900x65x15	1	1900x65x15

Name	Pcs	Dimensions (mm)	Pcs	Dimensions (mm)
		<b>S1212SV</b>		<b>S1616SV</b>
<b>Glass front</b>				
Aluminium U-profile	1	402x22x12	2	409x22x12
Glass	1	1939x411x8	2	1939x417x8
Glass door	1	1897x600x8	1	1897x600x8
Spacer strip above glass door	1	610x25x8	1	610x25x8
Door handle set	1	300x158x30	1	300x158x30
Door hinges	2		2	
Door magnet / sleeve plate	1		1	
<b>Interior fittings</b>				
Upper sauna bench	1	1015x500x90	1	1440x600x90
Upper sauna bench			1	732x500x90
Upper sauna bench			1	301x500x90
Lower sauna bench			1	1440x400x90
Bench foot	1	1090x510x90	2	1090x510x90
Foot step	1	500x400x450		
Bench screen	1	525x402x42	1	1370x402x42
Backrests	1	978x70x42	1	1400x270x42
Backrests			1	1270x270x42
Backrests			1	841x270x42
Bench support slat	2	495x90x29	2	900x90x29
Bench support slat			2	700x90x29
<b>Accessories</b>				
Ventilation slit	1	260x87x20	1	260x87x20
Light	1	200x100x65	1	200x100x65
Assembly material (screws and nails)	1			
Assembly material (iron brackets)	12	40x40x40	12	40x40x40
M10 x 120 - angle bench			4	
Assembly material (adjustable bench feet)	2		4	
Multiclips	12		12	
Assembly instructions	1		1	

## 1.5. Parts list for Medium S1620SV and Large S2020SV

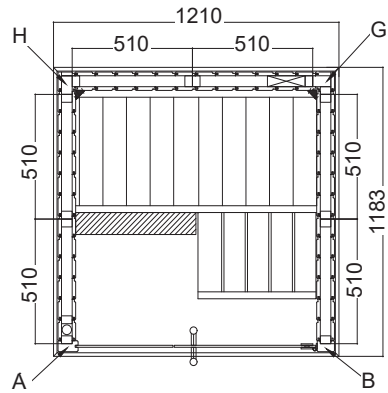
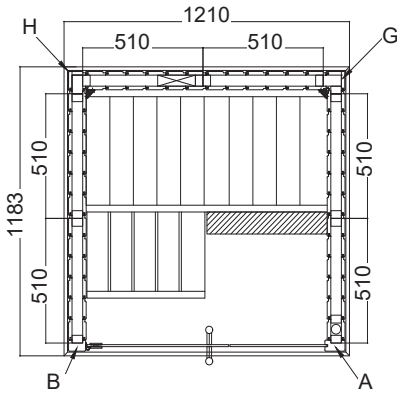
Name	Pcs	Dimensions (mm)	Pcs	Dimensions (mm)
		<b>S1620SV</b>		<b>S2020SV</b>
<b>Base frame</b>				
Base frame	1	1522x68x44	1	1947x68x44
Base frame	1	1992x68x44	1	1992x68x44
Base frame ventilation aperture	1	1522x68x44	1	1947x68x44
<b>Wall elements</b>				
Wall elements 935	2	1900x935x75	4	1900x935x75
Wall elements 510	2	1900x510x75		
Electrical element 935	1	1900x935x75	1	1900x935x75
Ventilation element 935	1	1900x935x75	1	1900x935x75
<b>Corner posts</b>				
Corner post A	2	1949x85x45	2	1949x85x45
Corner post G	1	1900x92x91	1	1900x92x91
Corner post H	1	1900x92x79	1	1900x92x79
<b>Roof elements</b>				
Roof element	1	2022x883x64	1	2022x1112x64
Roof element	1	2022x687x64	1	2022x883x64
Roof frame	1	1947x45x32	2	1947x45x32
Roof frame	1	1522x45x32	1	1819x45x32
Roof frame	1	1394x45x32		
Roof rim	2	2058x95x15	2	2058x95x15
Roof rim	2	1650x95x15	2	2033x95x15
<b>Corner covers</b>				
Inner roof corner trims	1	1868x18x15	1	1868x18x15
Inner roof corner trims	2	1426x18x15	2	1850x18x15
Inner corner trim	2	1018x20x20	2	1018x20x20
Outer corner covers	2	1900x80x15	2	1900x80x15
Outer corner covers	1	1900x67x15	1	1900x67x15
Outer corner covers	1	1900x65x15	1	1900x65x15



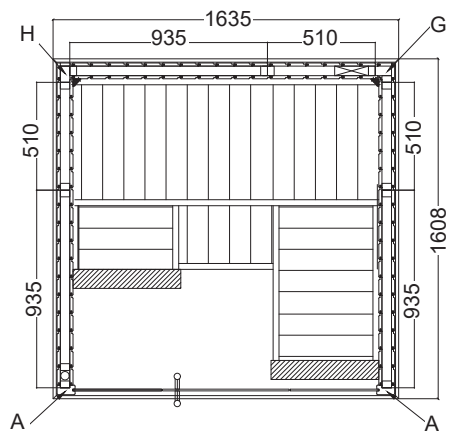
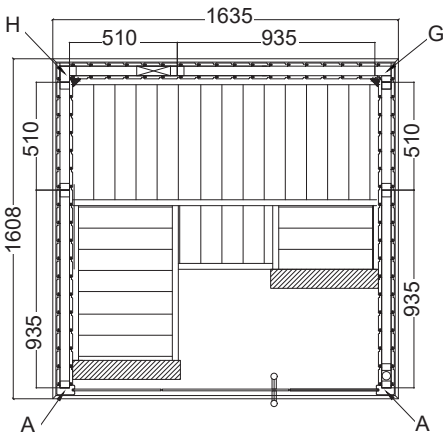
Name	Pcs	Dimensions (mm)	Pcs	Dimensions (mm)
		<b>S1620SV</b>		<b>S2020SV</b>
<b>Glass front</b>				
Aluminium U-profile	2	621x12x22	2	621x22x12
Glass	2	1939x629x8	2	1939x629x8
Glass door	1	1897x600x8	1	1897x600x8
Spacer strip above glass door	1	610x8x25	1	610x25x8
Door handle set	1	300x158x30	1	300x158x30
Door hinges	2		2	
Door magnet / sleeve plate	1		1	
<b>Interior fittings</b>				
Upper sauna bench	1	1865x600x90	1	1865x600x90
Upper sauna bench	1	732x500x90	1	1167x500x90
Upper sauna bench	1	301x500x90	1	712x500x90
Lower sauna bench	1	1865x400x90	1	1865x500x90
Bench foot	2	1090x510x90	2	1090x510x90
Bench screen	1	1795x42x402	1	1795x402x42
Backrests	1	1828x42x270	1	1828x270x42
Backrests	1	1270x42x270	1	1704x270x42
Backrests	1	841x42x270	1	1250x270x42
Bench support slat	2	900x29x90	4	1050x90x29
Bench support slat	2	700x29x90		
<b>Accessories</b>				
Ventilation slit	1	260x20x87	1	260x87x20
Light	1	200x100x65	1	200x100x65
Assembly material (screws and nails)	1		1	
Assembly material (iron brackets)	12	40x40x40	12	40x40x40
M10 x 120 - angle bench	4		4	
Assembly material (adjustable bench feet)	4		4	
Multiclips	12		12	
Assembly instructions	1		1	

## 2. Floor plan

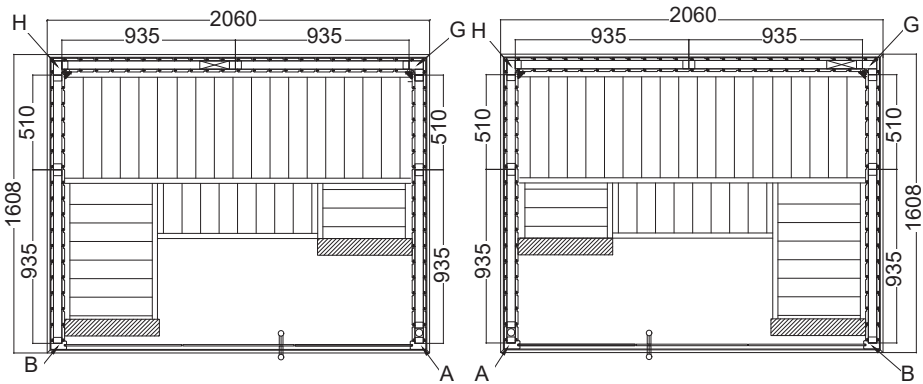
### 2.1. Variant View Mini S1212SV



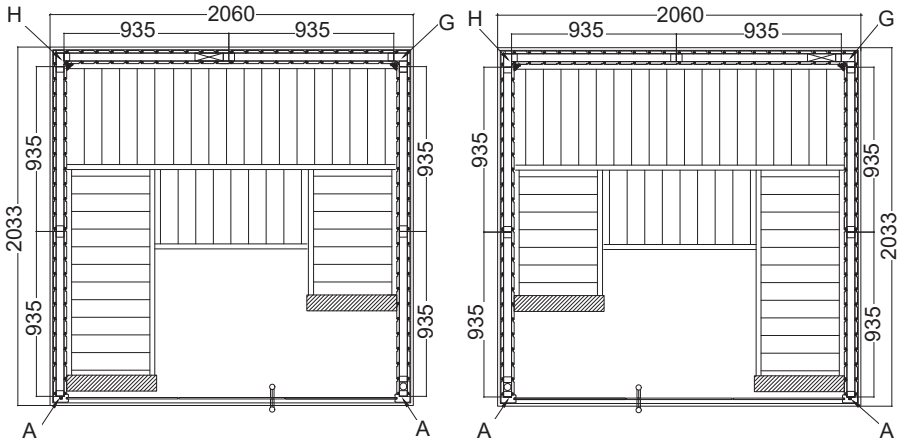
### 2.2. Variant View Small S1616SV



### 2.3. Variant View Medium S1620SV



### 2.4. Variant View Large S2020SV



## 3. Assembling the cabin

---



### ATTENTION!

Note the floor plans on Page 10 and Page 11 as well as the illustrations starting on page 15 (after the last language).

---

### 3.1. Assembling the base frame

Start with the base frame and screw it to the corners. Move the base frame to the final position of the sauna.

### 3.2. Assembling the cabin walls

---



Note the outside/inside of the wall elements.

Make sure the ventilation element is correctly positioned. It must be placed diagonally opposite the heater.

---

Start assembling the wall elements with the ventilation element and screw it to the corner post (G, H). The other wall elements are connected by tongue and groove and are fixed by mounting the roof frame. Check the right angles (see tip on page 4).

Mount the multiclips to the front sides of the wall panels and to the corner posts (A, B). Make sure that the multiclips are correctly aligned - the corner posts are connected to the wall elements from top to bottom.

Fit the ventilation slider.

### 3.3. Assembling the roof elements

Insert the roof elements and screw them to the cabin walls. Note the cable outlet.

### 3.4. Assembling the benches

Mount the bench support slats on the side wall elements. Connect the angle bench to the sauna bench using M10 x 120 screws. Screw the adjustable feet into the bench foot. Fix the bench foot to the angled bench by tightening up the lock and screw the bench foot to the side wall.

Assemble the bench screen and the backrest.

### 3.5. Assembling the glass elements

Fit the aluminium U-profiles to the glass elements and put in the glass elements.



Note when installing the glass element that the holes drilled for the door hinges determine which way the door opens.

Bond the aluminium U-profiles to the floor with silicone or assembly adhesive.

Mount the spacer strip above the glass door.

When installing the door fittings, make sure that the door opens to the outside.

Screw the two door fittings to the glass element first, making sure that the fittings are aligned straight. Align the fittings by adjusting / turning the two plastic inserts.

The door handles are screwed together from the inside. Attach plastic washers on the stainless steel handle

Fit the door magnet and sleeve plate.

### 3.6. Installing roof trim

Mount the corner brackets to the roof trim strips. Then screw the roof trim strips to the roof element.

### 3.7. Mounting the cover slats

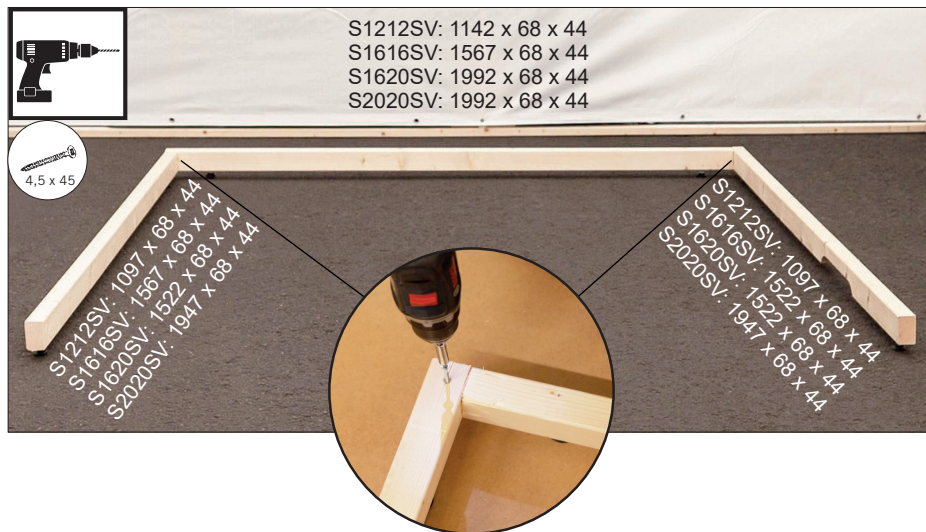
Fasten the inner roof corner trims, the inner corner trims and the outer corner covers using nails.

### 3.8. Drill hole for electrical cable

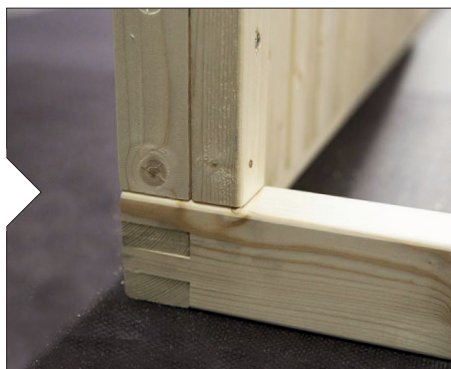
### 3.9. Mounting the light

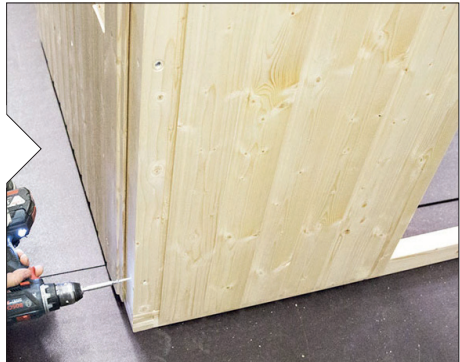


3.1.

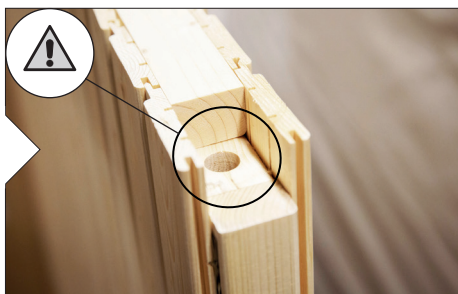
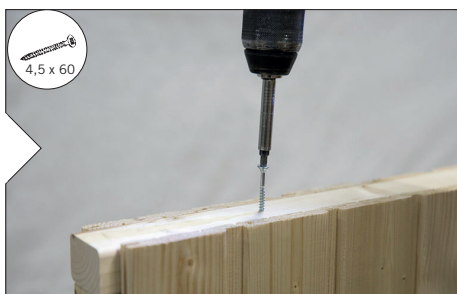
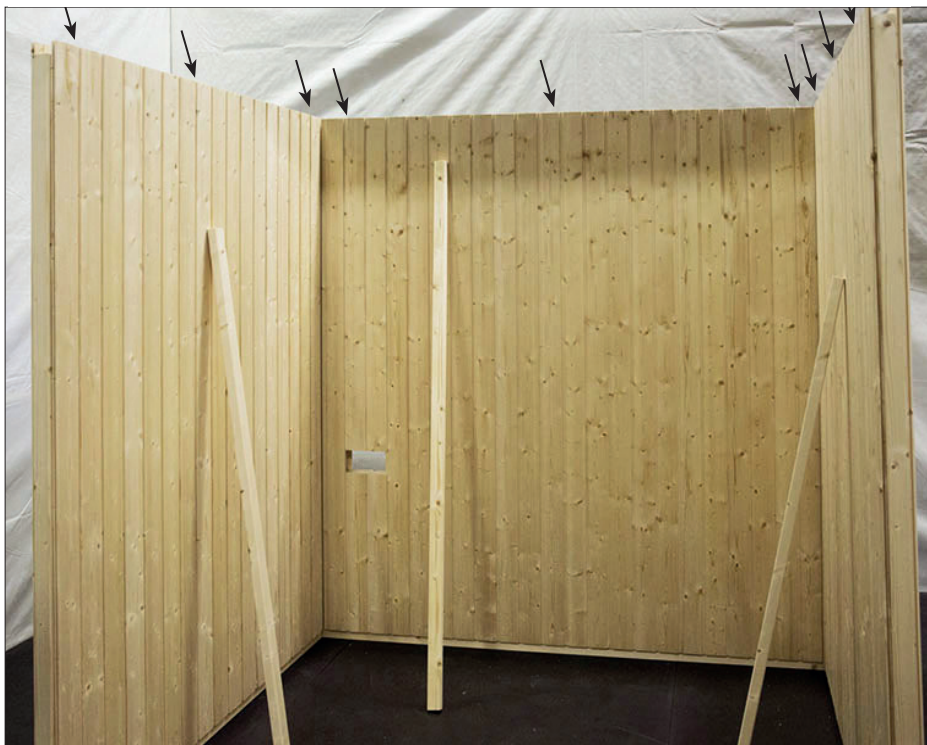


3.2.



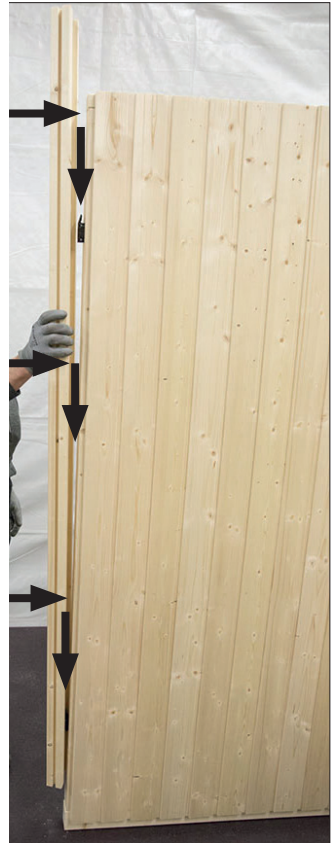
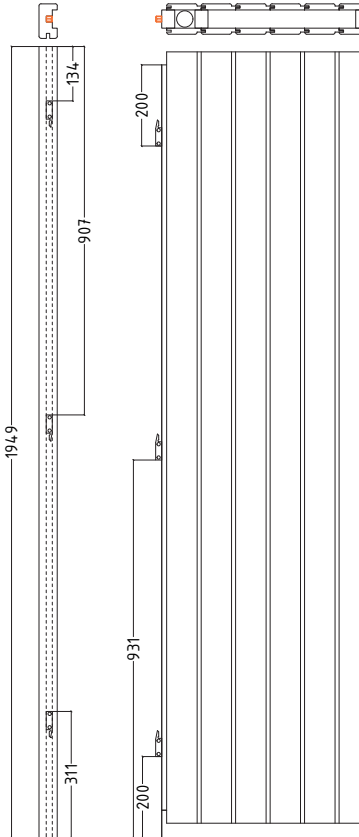




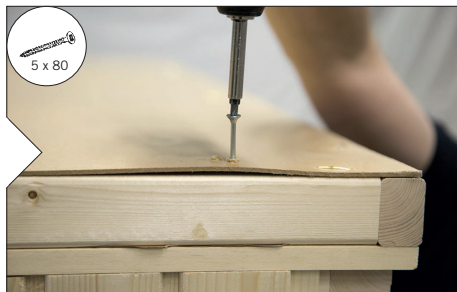




Multiclip

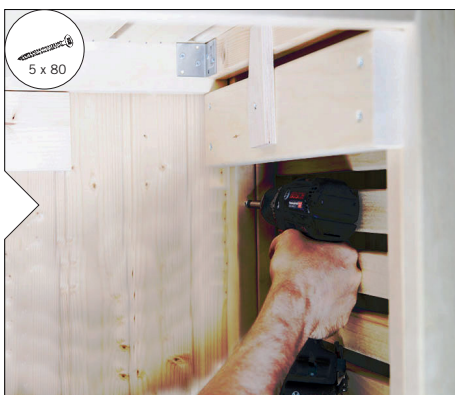
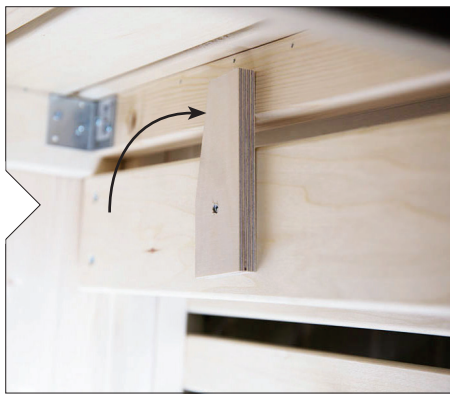


3.3.

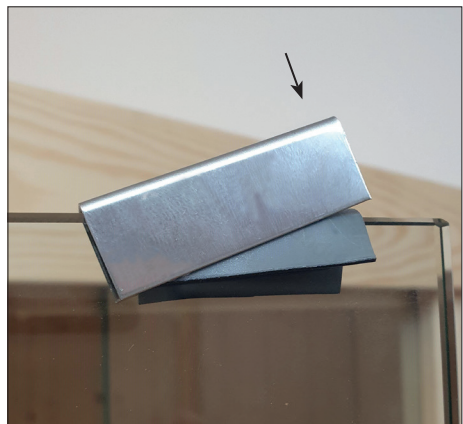
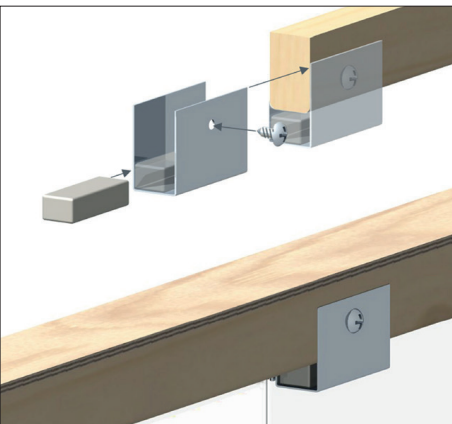
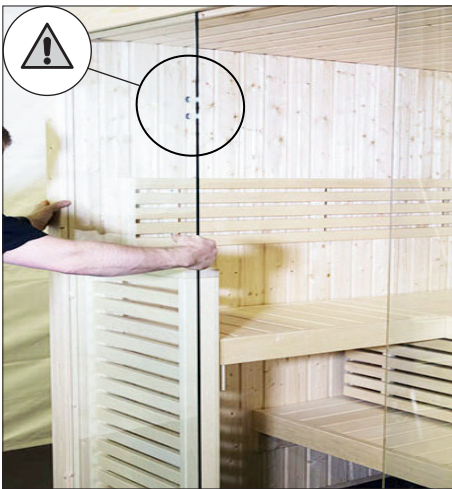


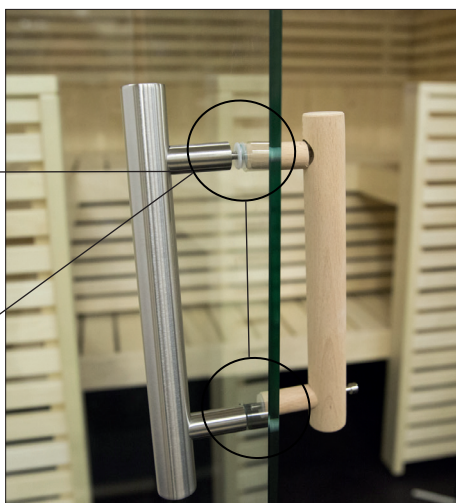
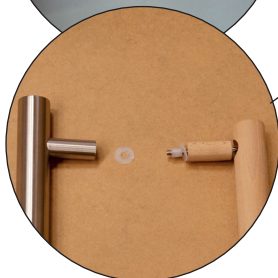
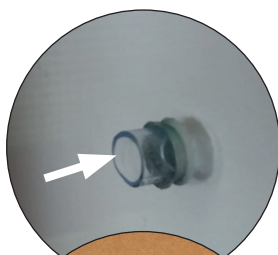
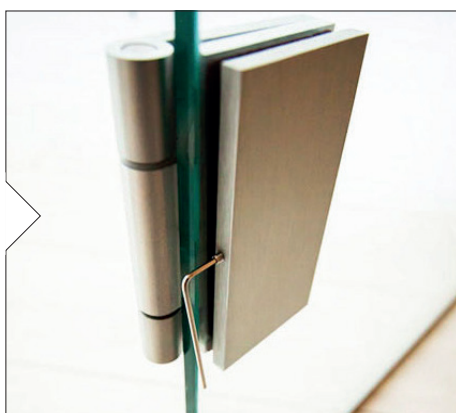
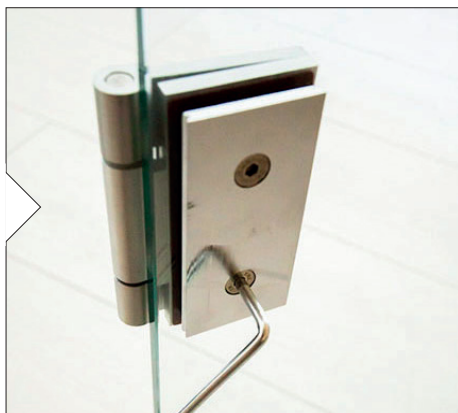
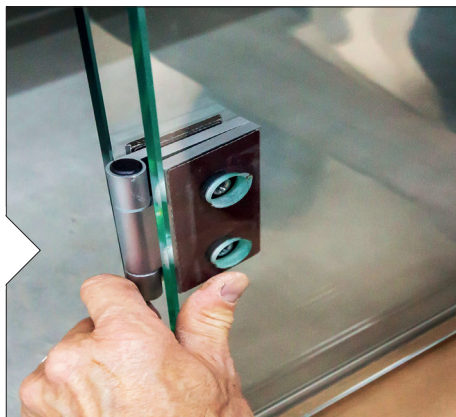
3.4.



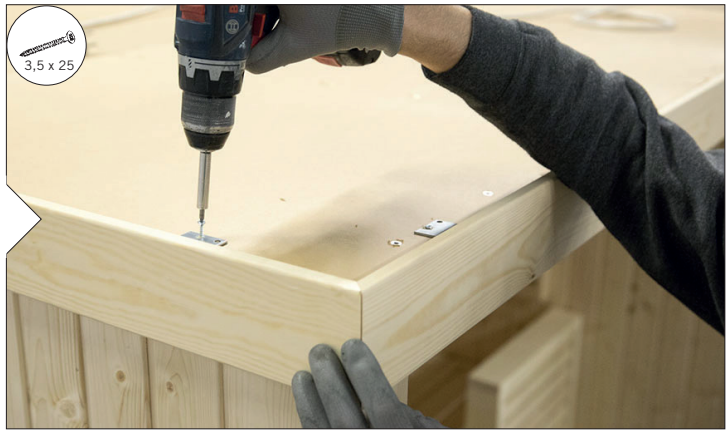


3.5.





3.6.



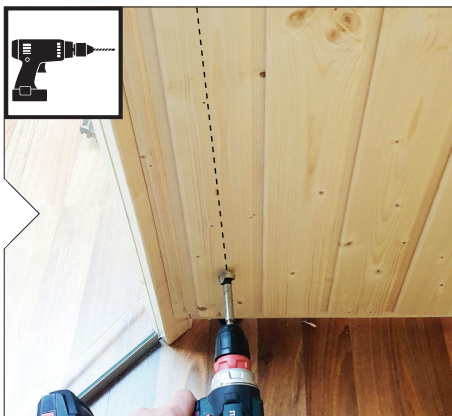
3.7.







3.8.



3.9.



Global:  
[www.harvia.fi](http://www.harvia.fi)  
Tel. +358 207 464 000



Central Europe:  
[www.sentiotec.com](http://www.sentiotec.com)  
Tel. +43 7672 22 900-50