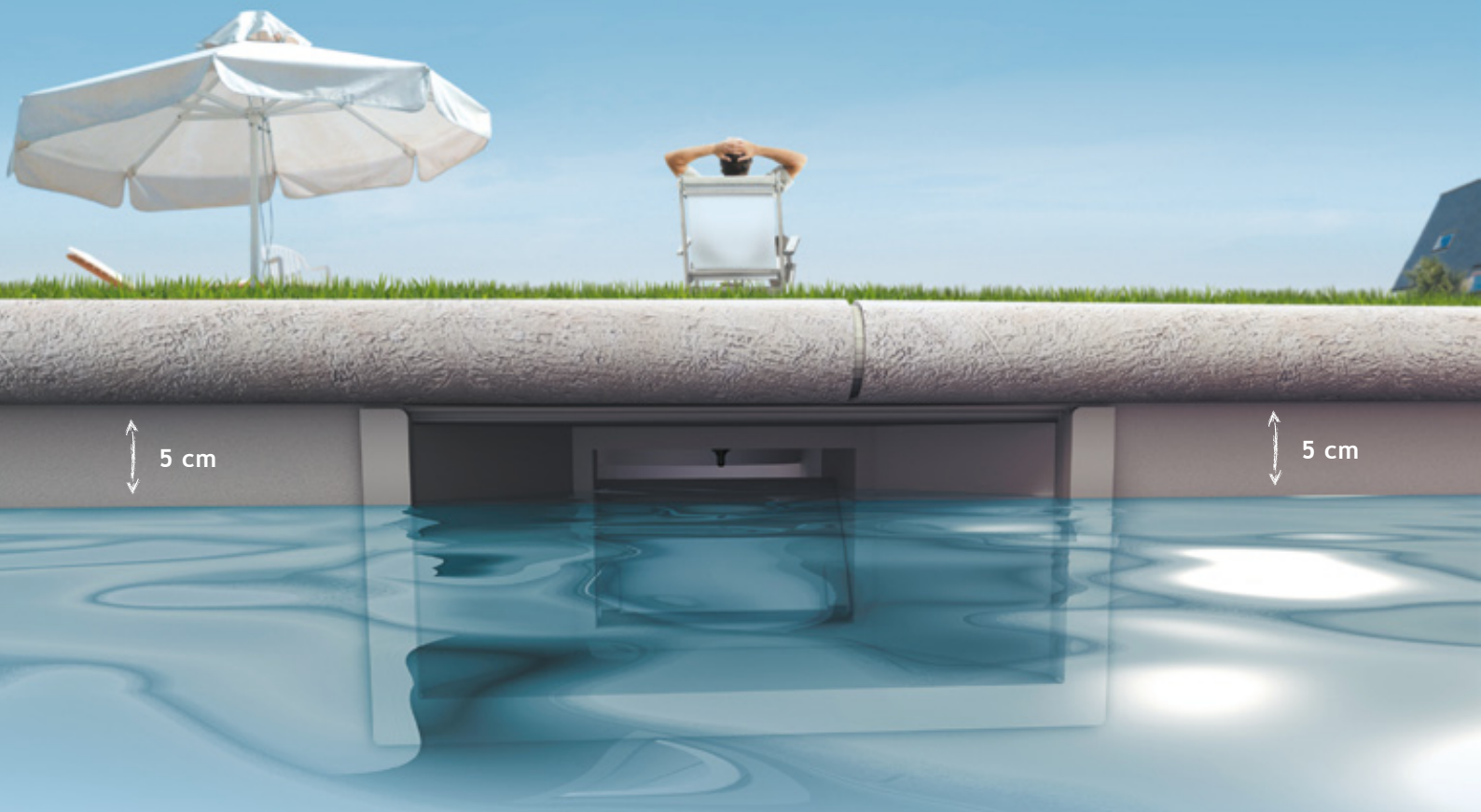


Aquareva

by PROCOPi

Mirror Skimmer

It raises the level!



The **AQUAREVA** range of pool fittings welcomes a new **PROCOPi** exclusive, the **MIRROR SKIMMER** !

The mirror skimmer is designed to tuck discreetly under the coping so that the water level is only 5 cm from the top of the pool wall.

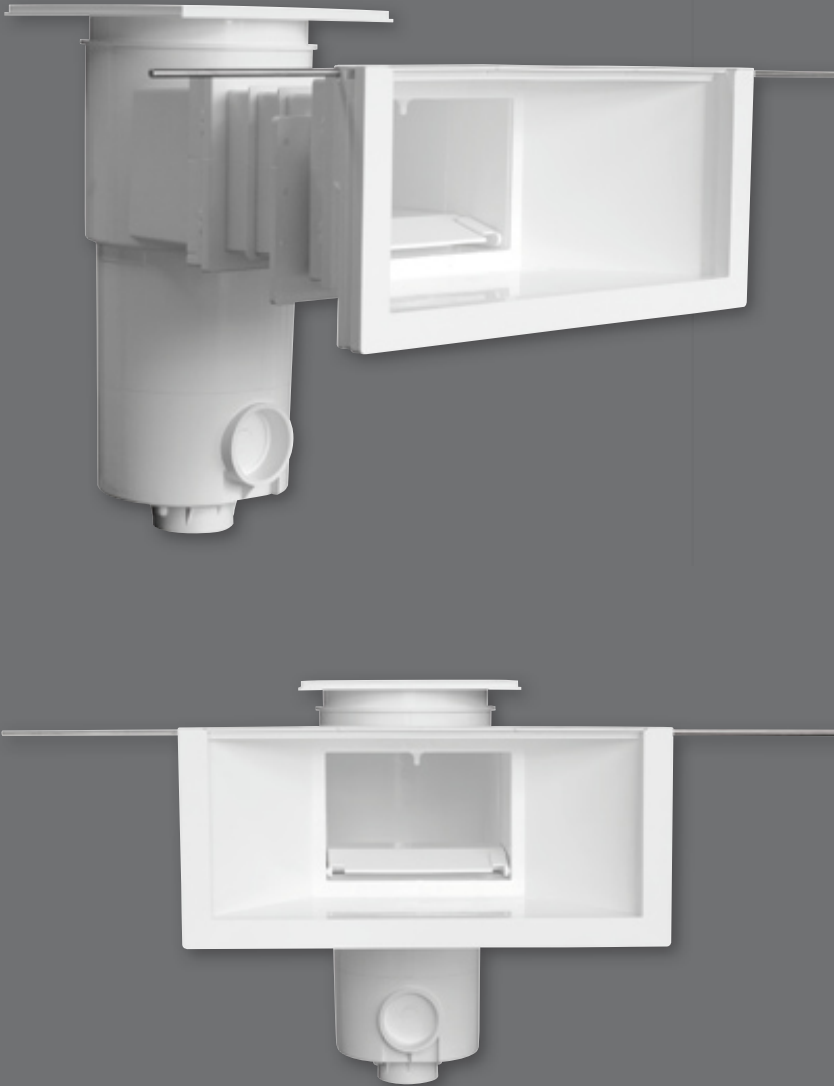
procopi.com

AQUAREVA
pool fittings
10
YEAR
Guarantee*






PROCOPi
Pool & Spa Equipment

Mirror skimmer



Skimmer technical data:

Made in France, Aquareva skimmers incorporate the latest technological innovations; quality and reliability are assured.

- Made of pool grade anti-UV treated ABS,
- Self-adhesive elastomer gaskets,
- Stainless steel screws, adapted to each type of pool,
- Adhesive covers for protection at the work site,
- Available in 8 colours, 
- Skims the water from the surface of the pool,
- Captures large debris (leaves, toys, large insects, etc.),
- Scored disk for installation of an overflow,
- Leaktight when mounted in liner (75/100 and 85/100) and reinforced membrane (150/100) pools.
-   Made in France.

Technical data specific to mirror skimmers:

- Water level 5 cm from the top of the pool wall,

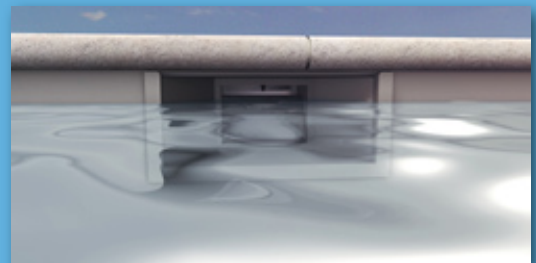
Restriction:

At the point where the mirror skimmer is installed, the coping must be at least 500 mm long and 30 mm thick.

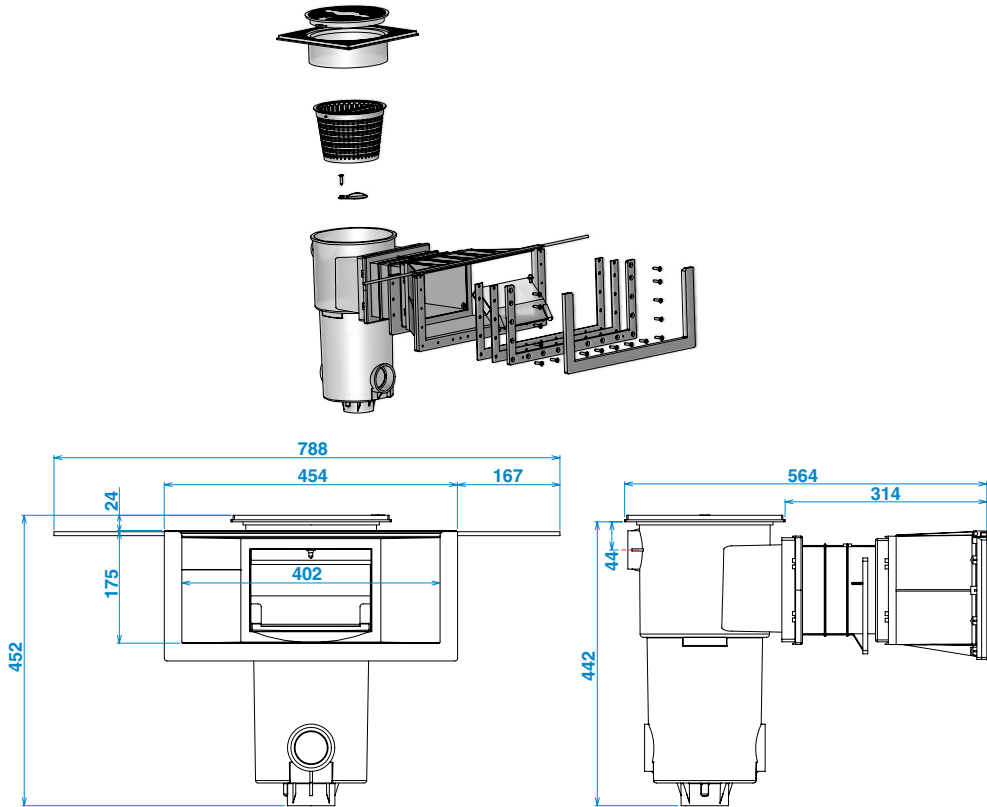
Conventional skimmer



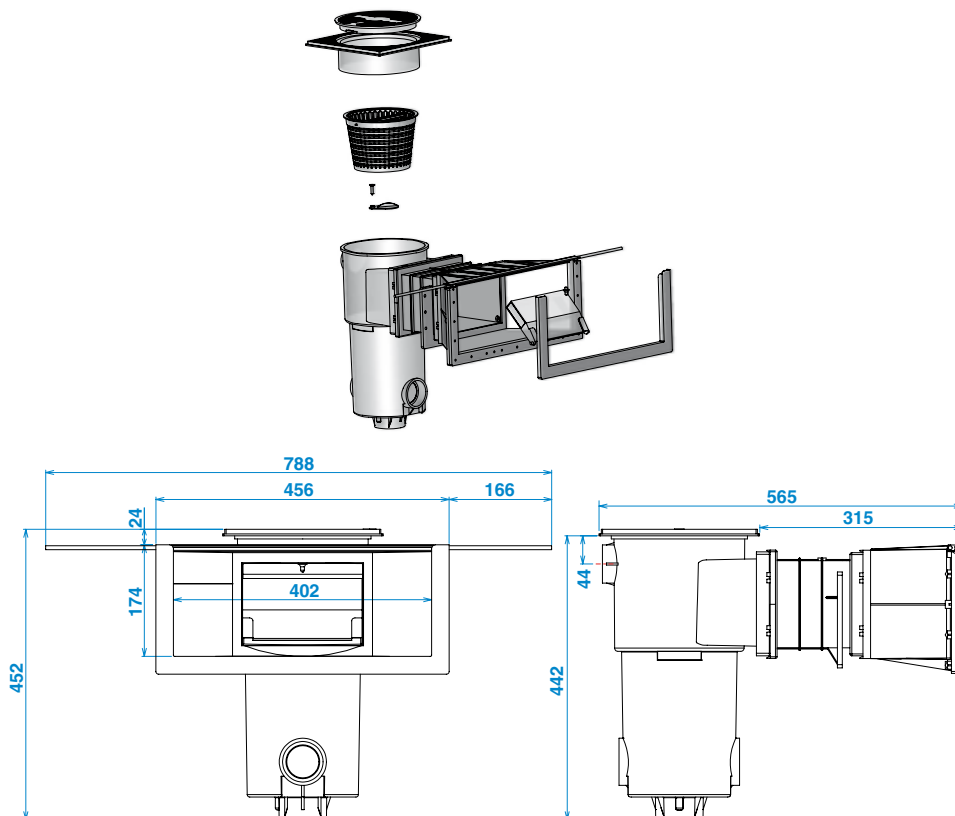
Mirror skimmer



Mirror skimmer - Masonry/Liner SL-119-MR



Mirror skimmer - Concrete SB-118-MR





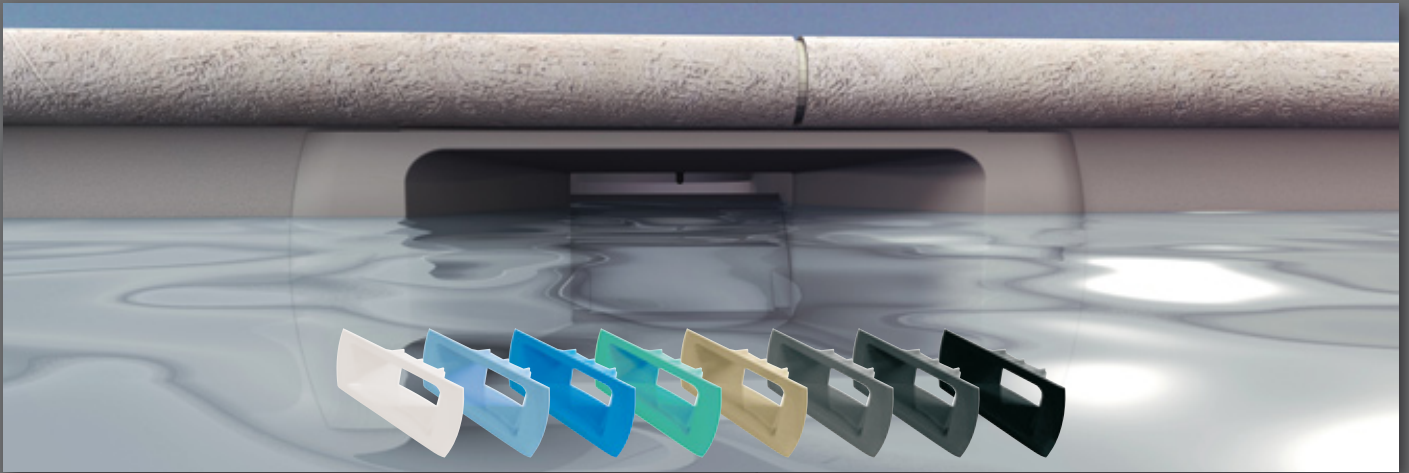
Mirror skimmer

Aquareva Color



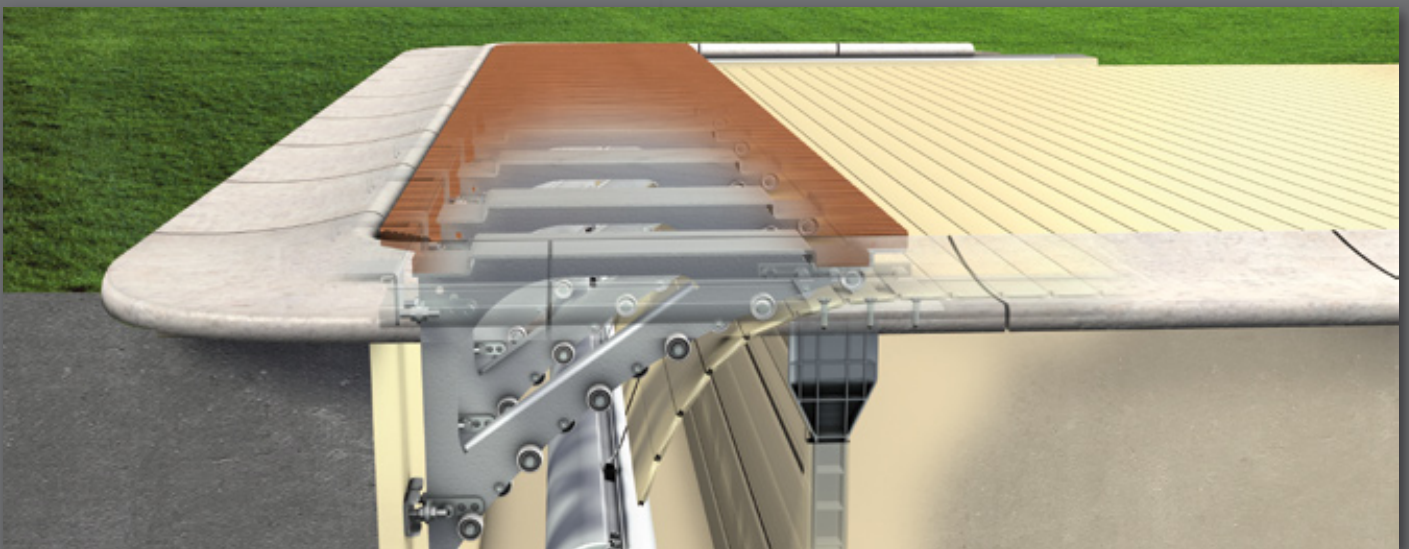
Mirror skimmers and mirror skimmer mouth & throat trims are available in a range of 8 colours as part of the Aquareva Color range: white, light blue, dark blue, green, beige, grey, anthracite and black.

Mouth/throat trim for mirror skimmer SL-119-MR and SB-118-MR



Delta

The Mirror Skimmer is ideal for pools that will be fitted with a Stardeck automatic cover.



Dealer's stamp: