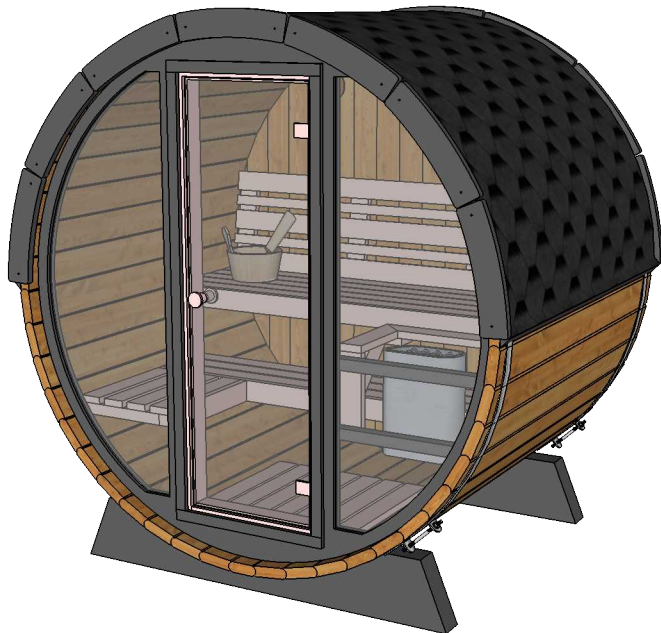
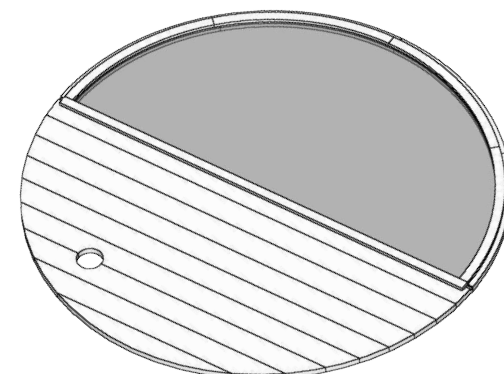
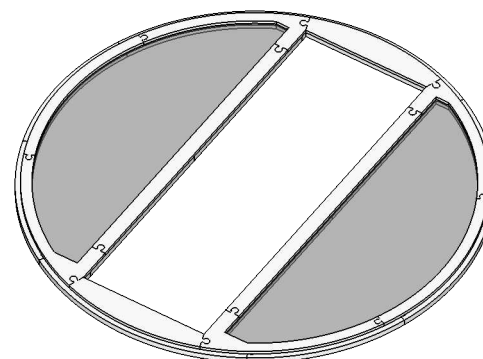
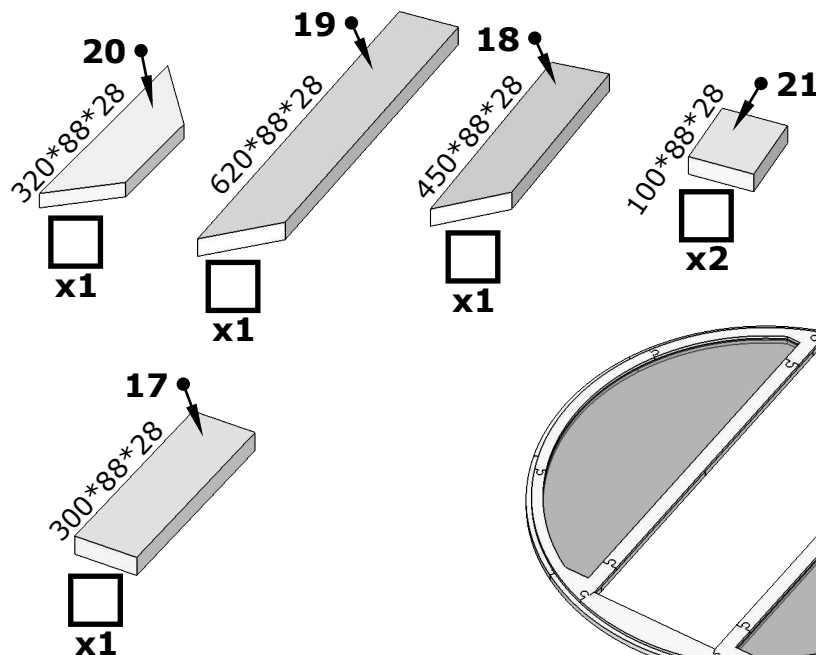
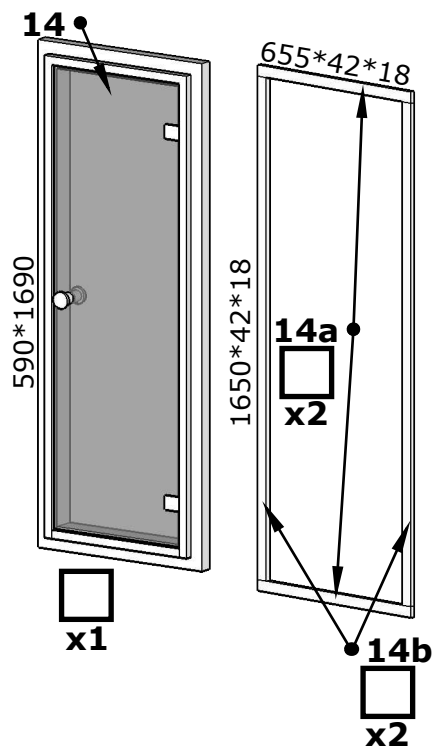
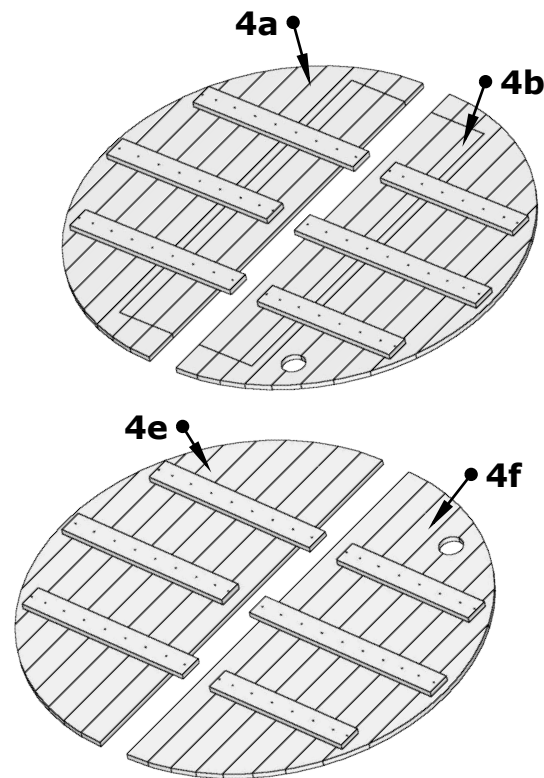
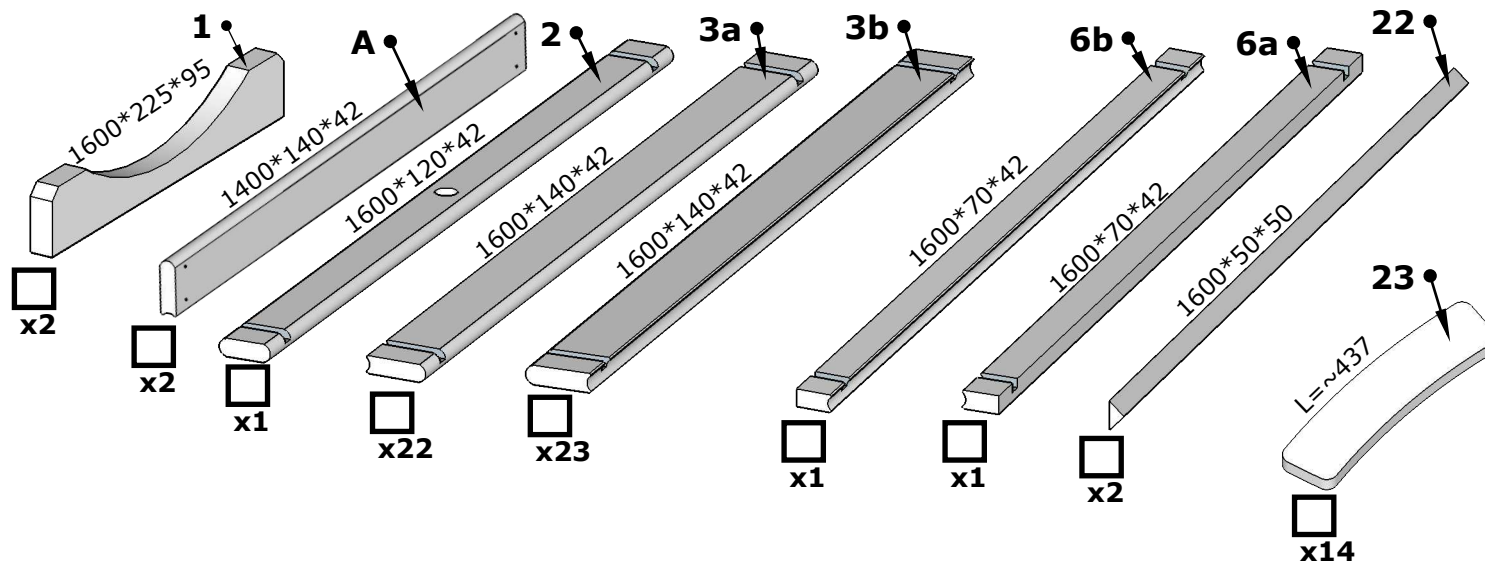


Sauna 160, Ø200

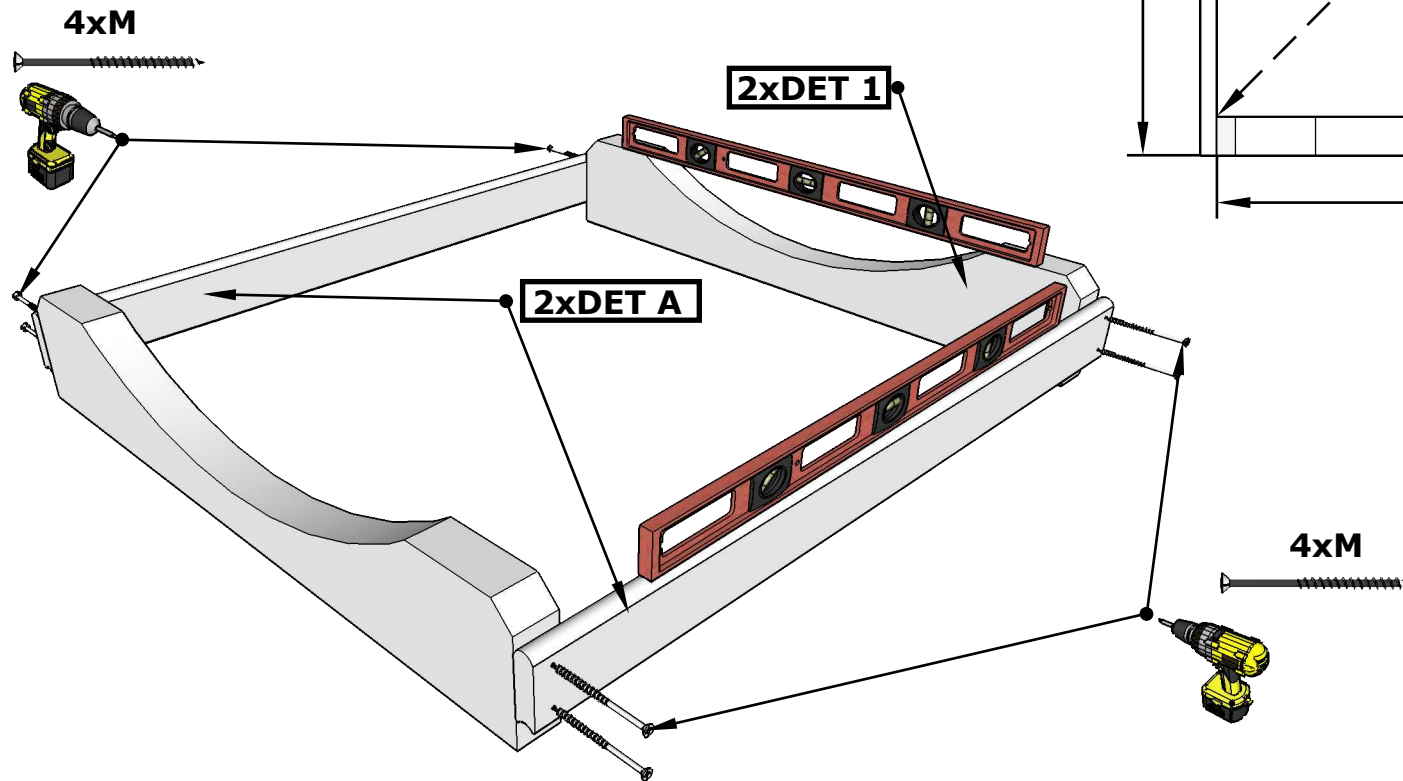
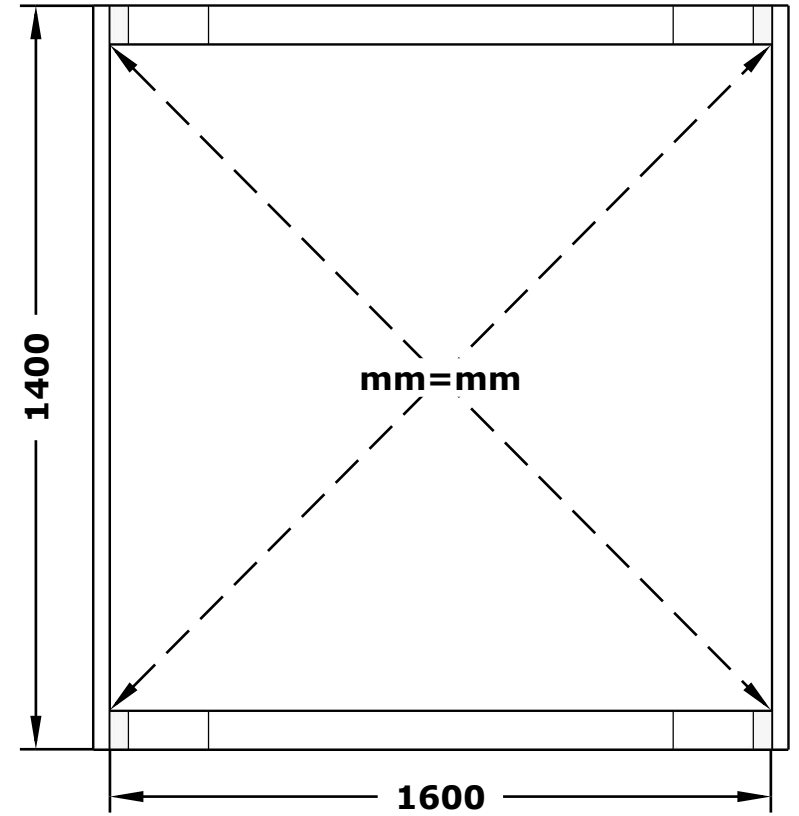
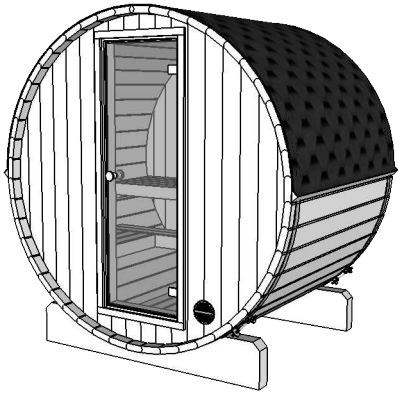


Sauna 160, Ø200

Details list nr.1

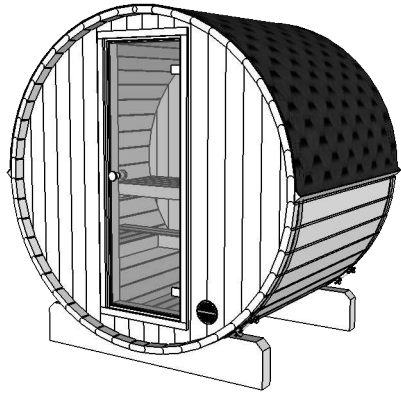


Sauna 160, Ø200

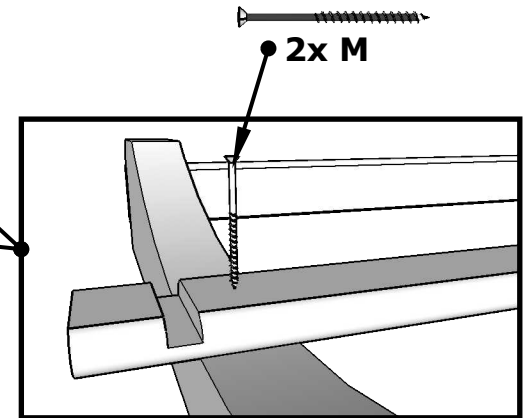
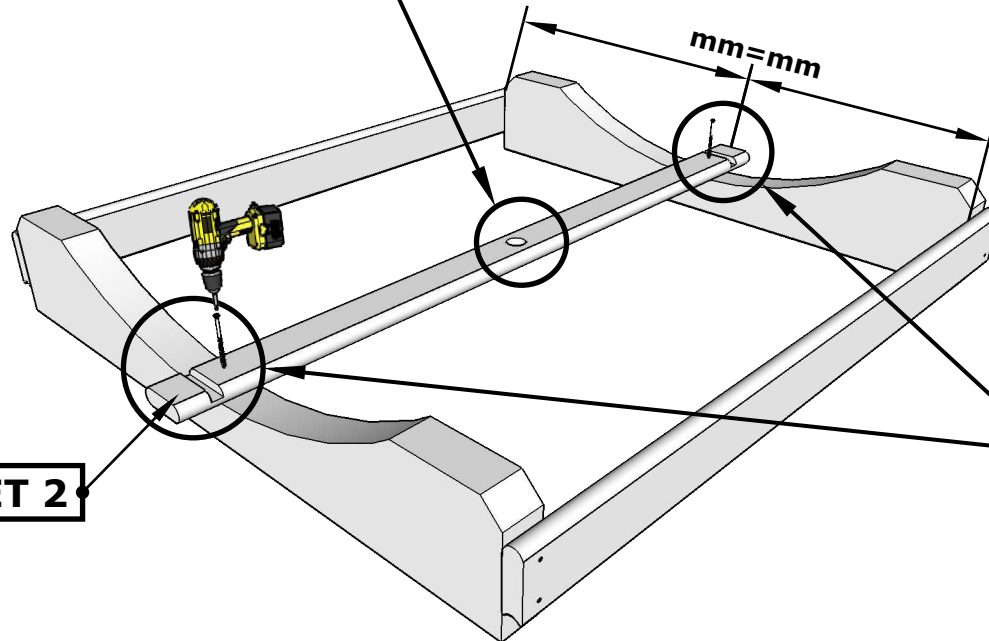
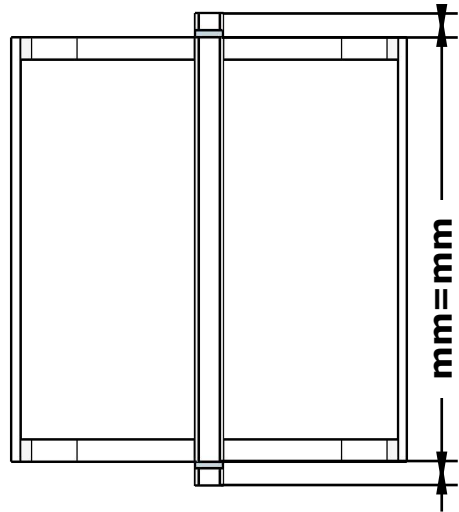
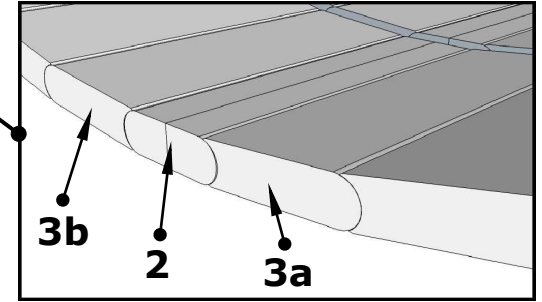
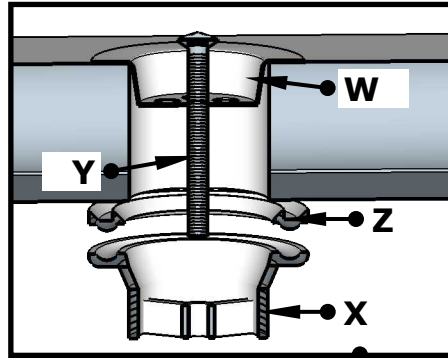
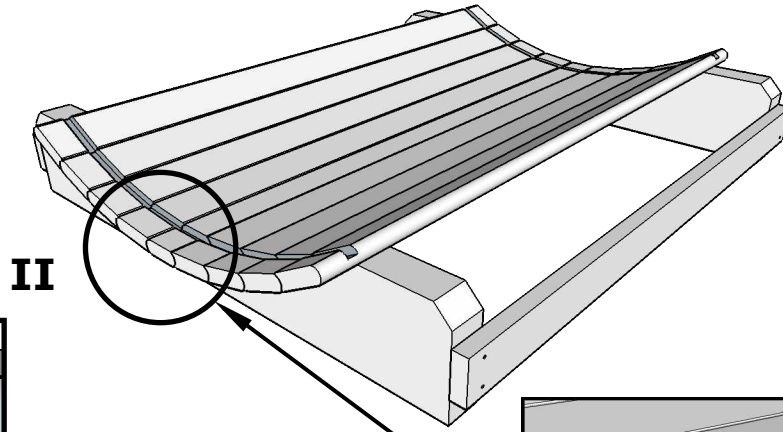


1.

Sauna 160, Ø200



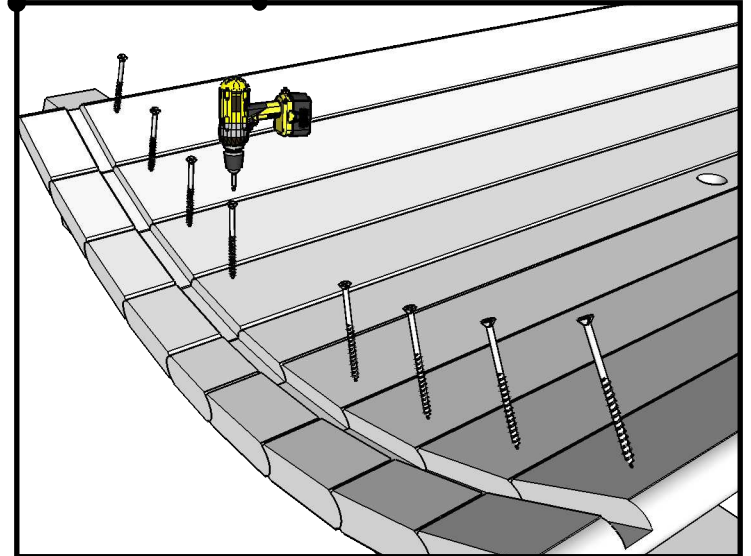
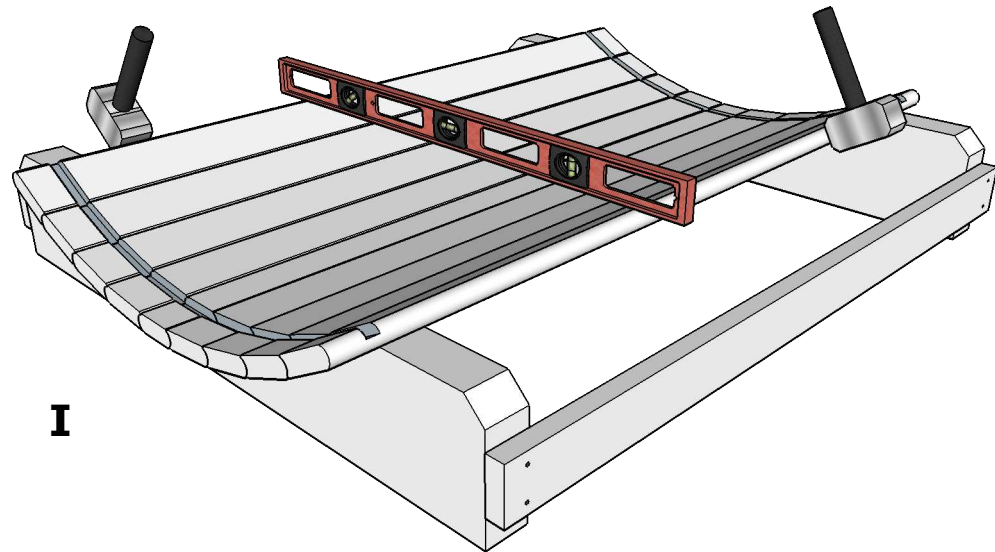
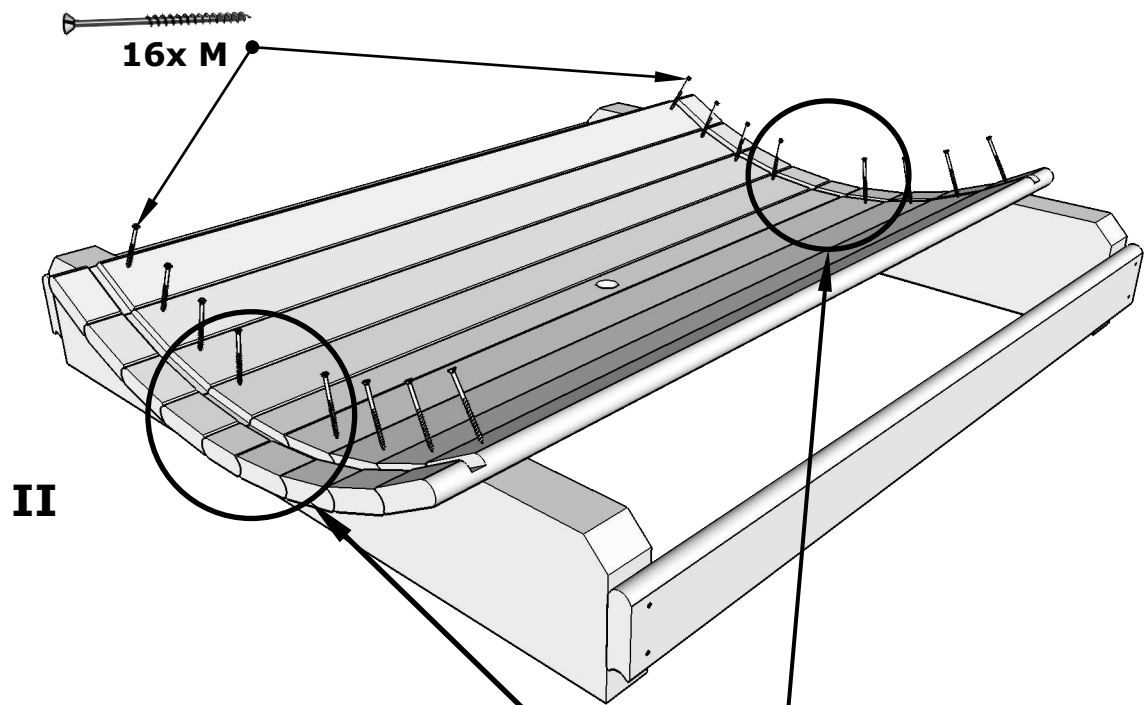
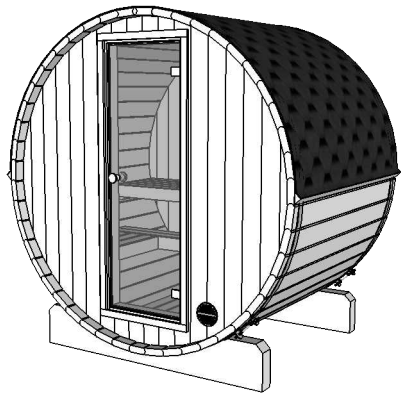
4 x DET 3a
4 x DET 3b



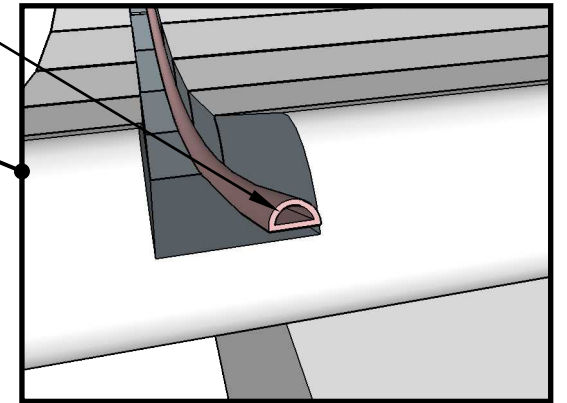
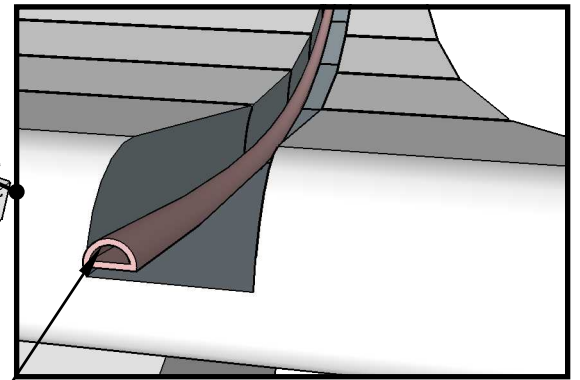
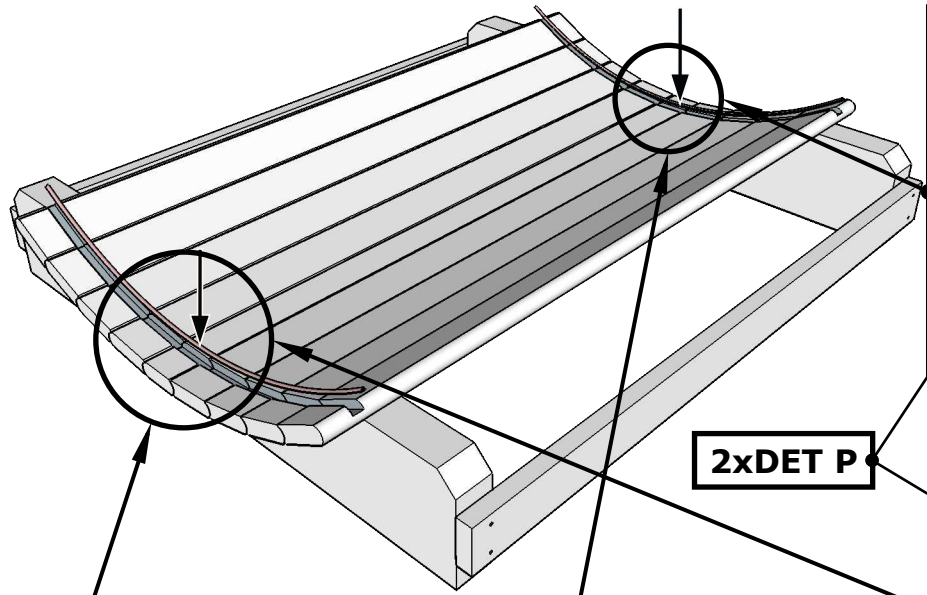
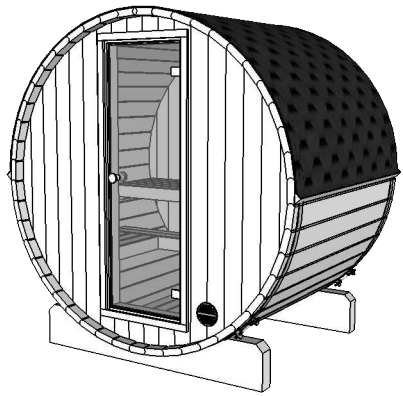
I

1x DET 2

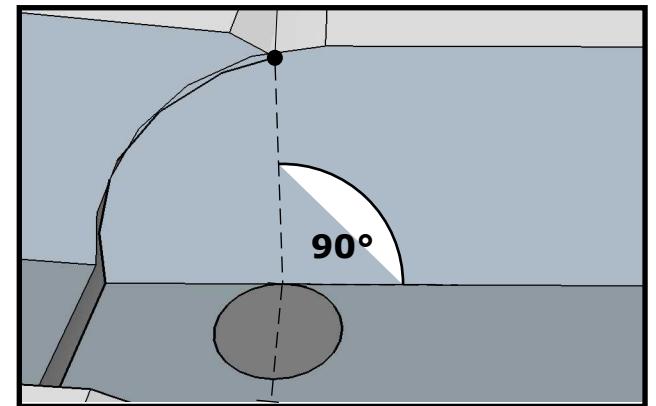
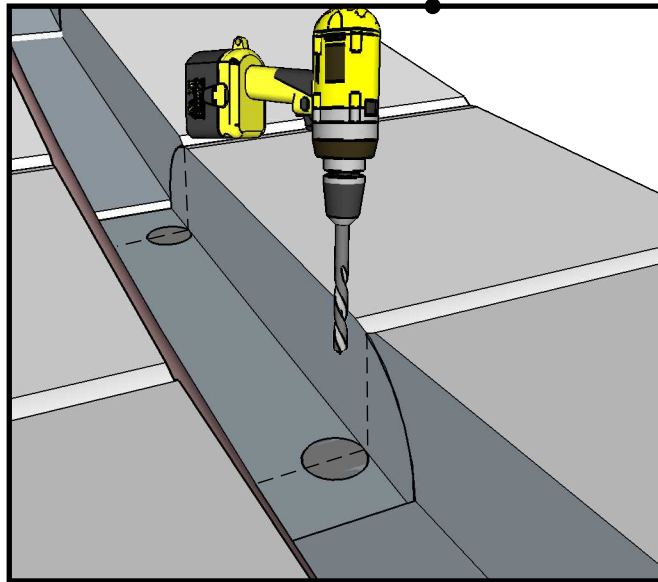
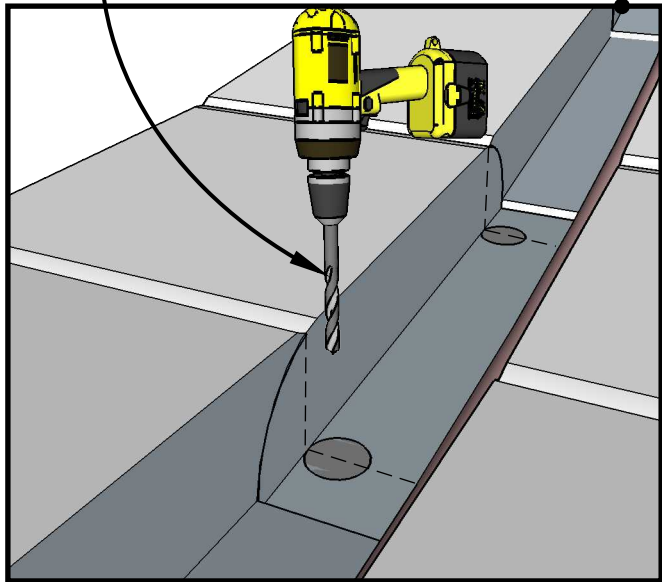
Sauna 160, Ø200



Sauna 160, Ø200

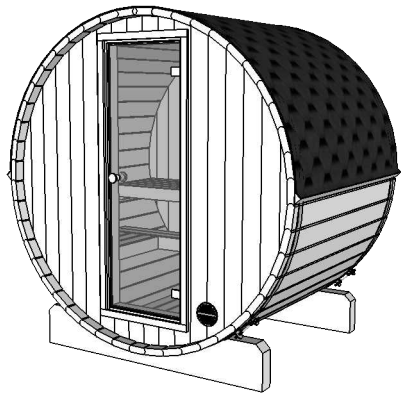


• Drill 2 holes into
DET 2 Ø10mm.

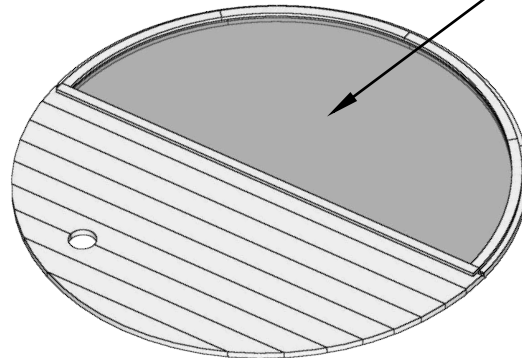


3A.

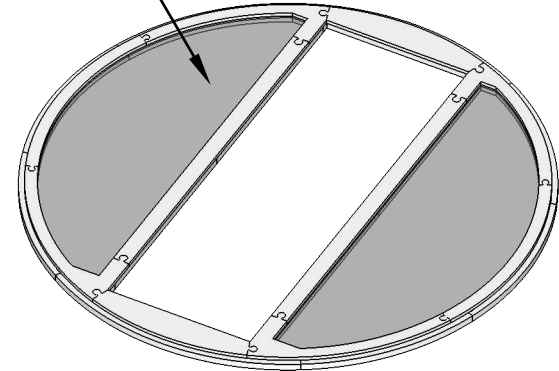
Sauna 160, Ø200



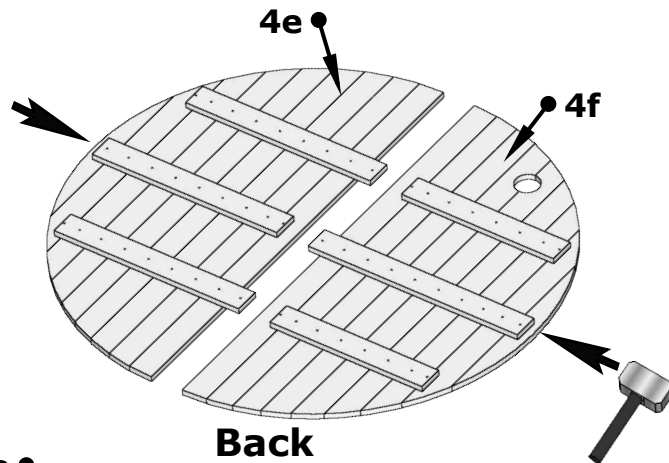
Check glass walls installation on extra pages.



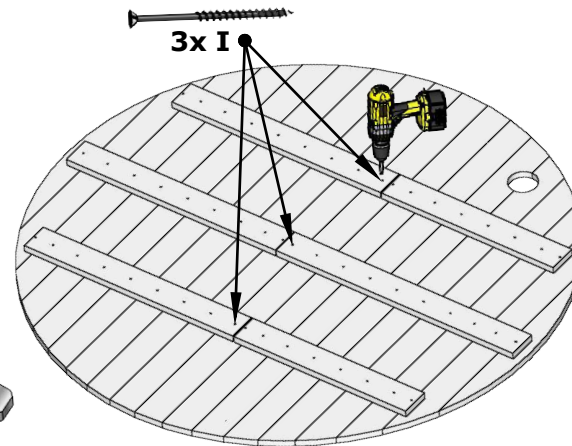
Back



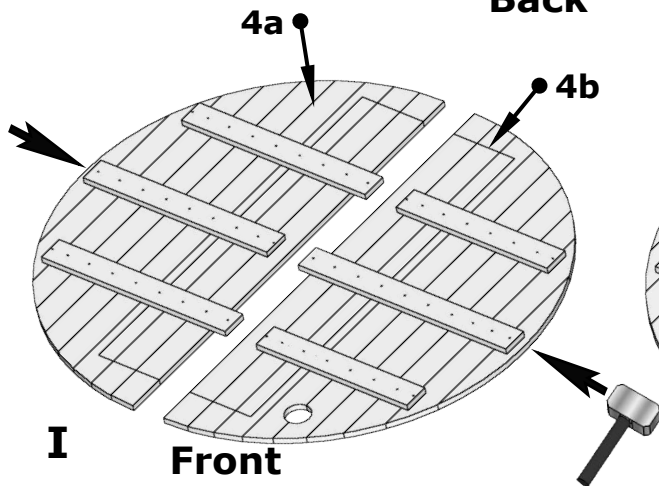
Front



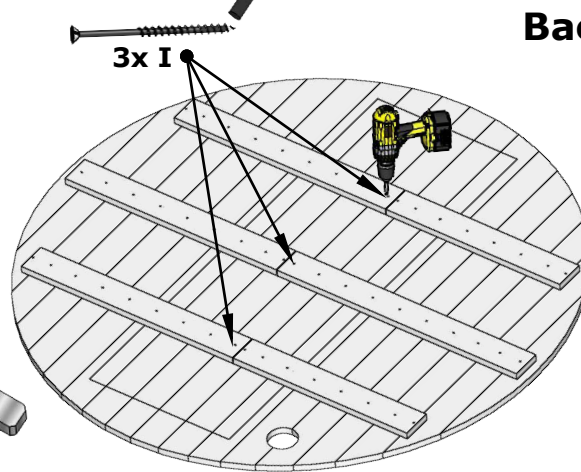
Back



Back



I Front

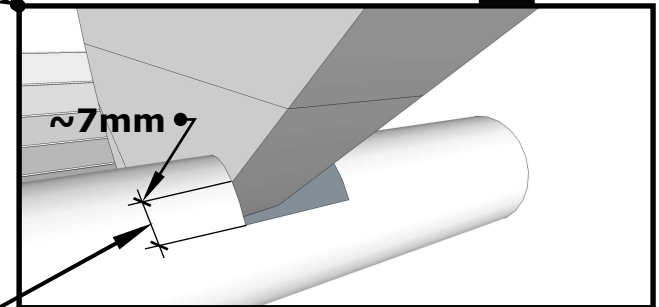
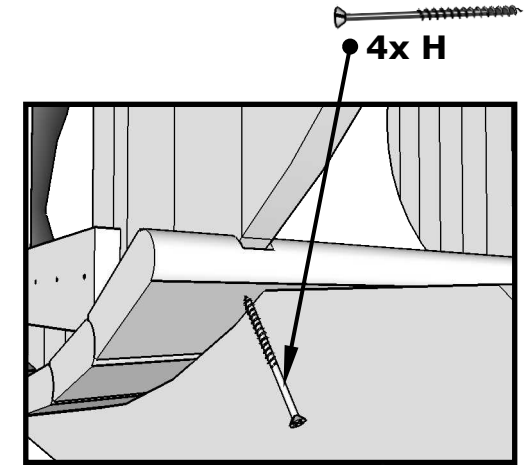
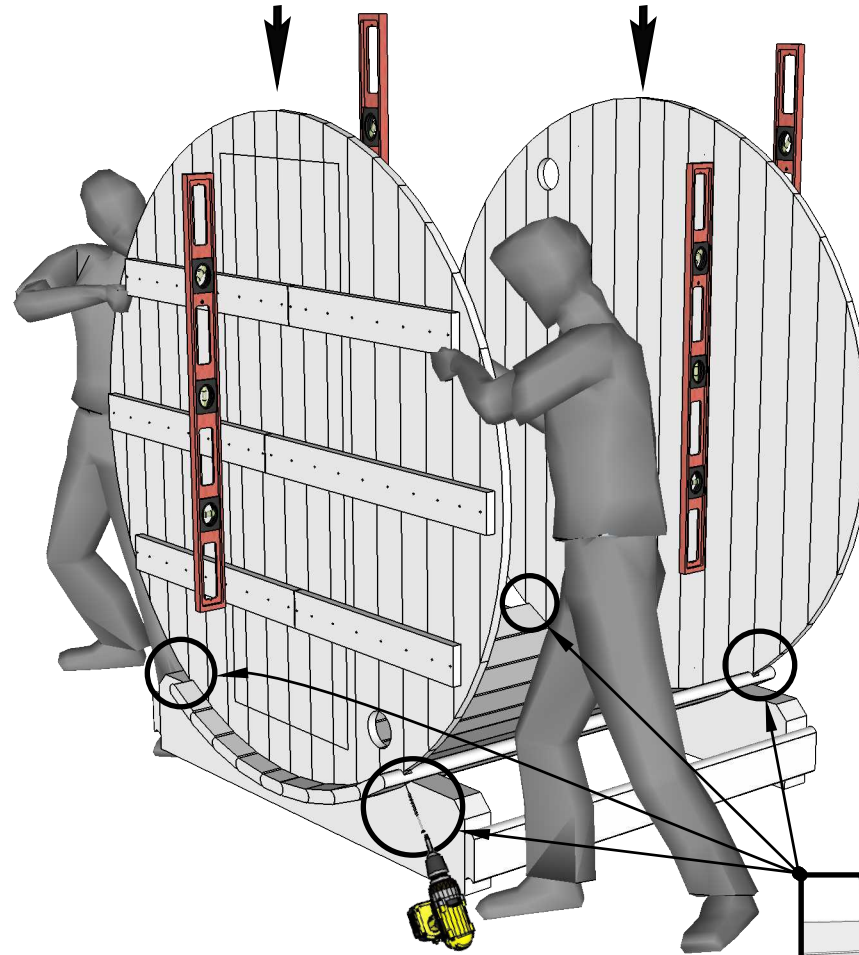
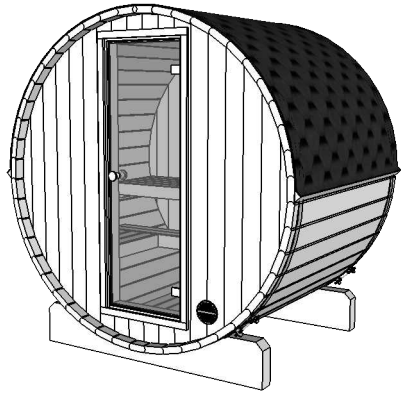


II Front

Walls configuration depends on Your model!

4.

Sauna 160, Ø200

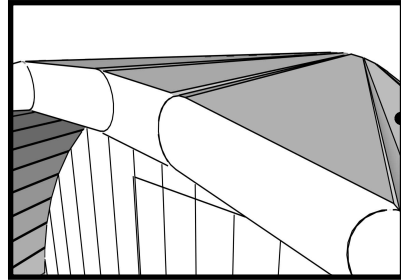
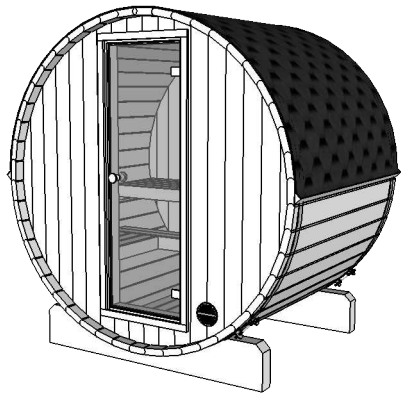


Walls configuration depends on Your model!

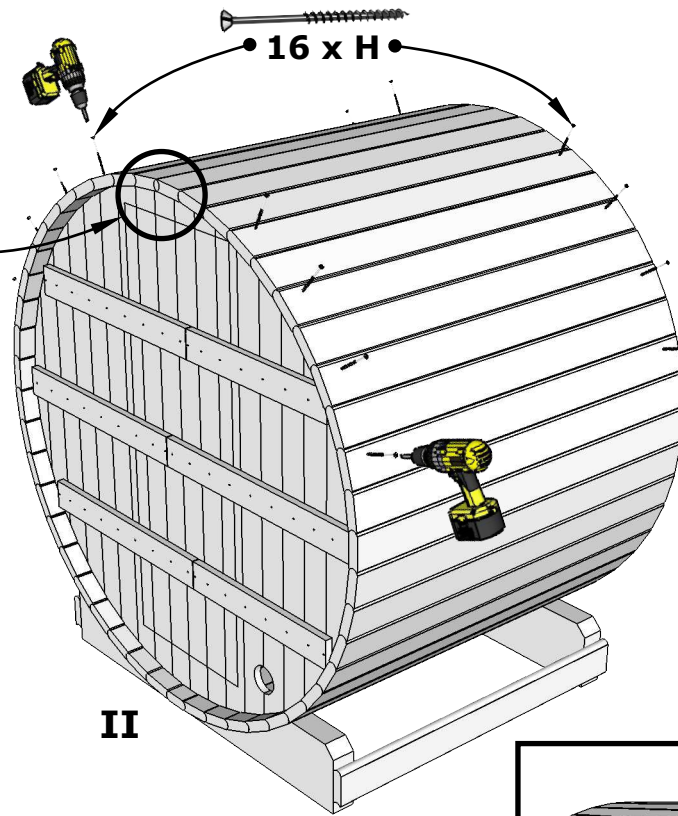
**Important!
Keep distance!**

Sauna 160, Ø200

Check page 6A

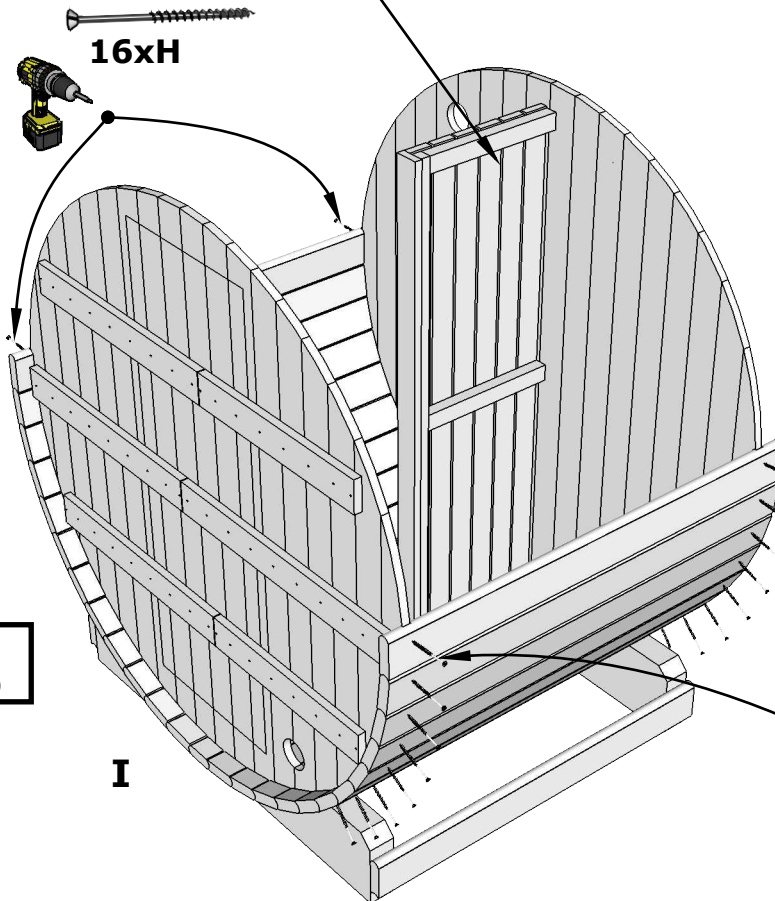
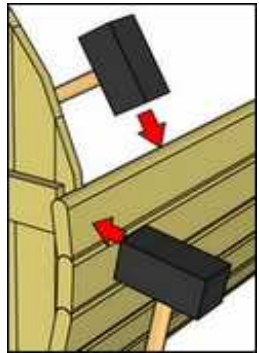


11x DET 3a
10x DET 3b

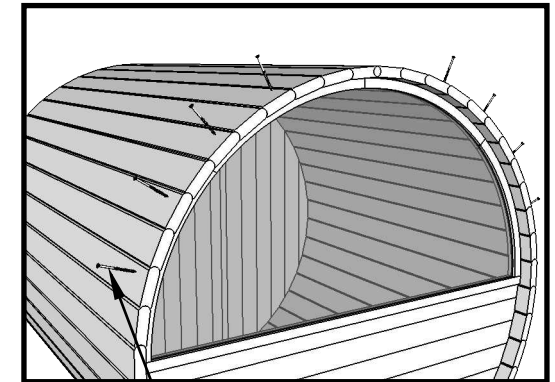


Half moon
glass model.

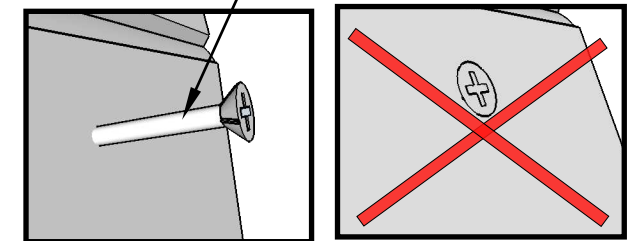
Place DET 8 in sauna
before top boards.



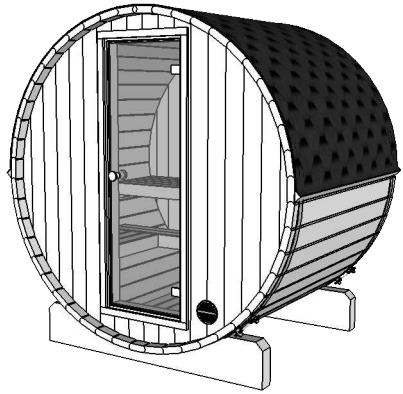
8x DET 3a
8x DET 3b



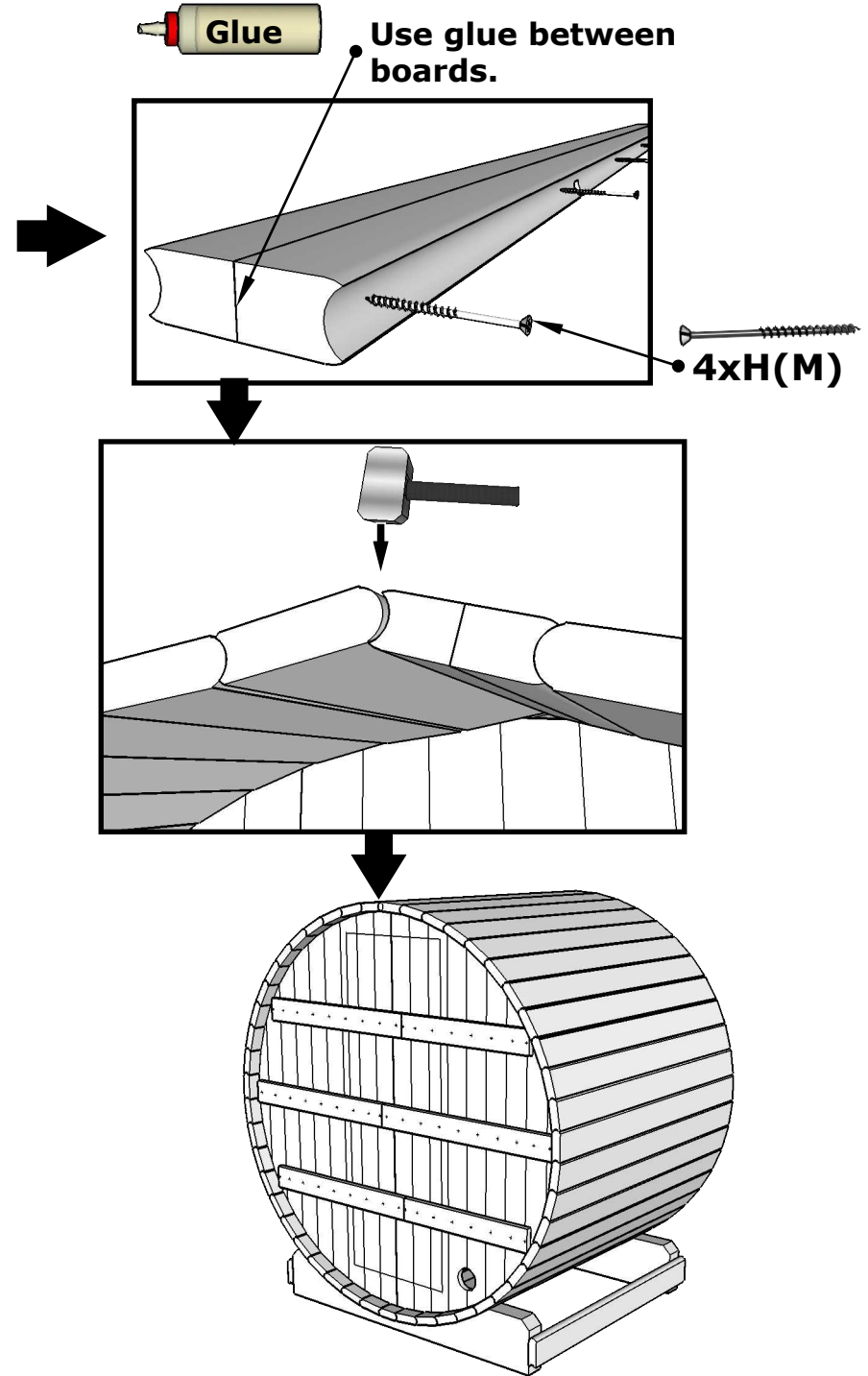
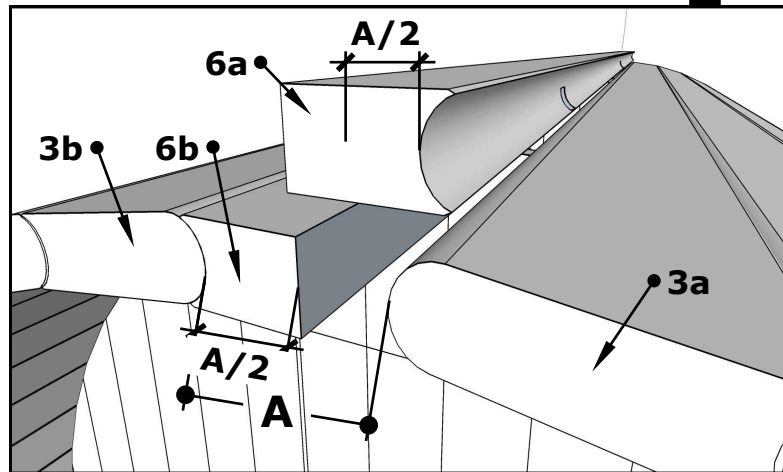
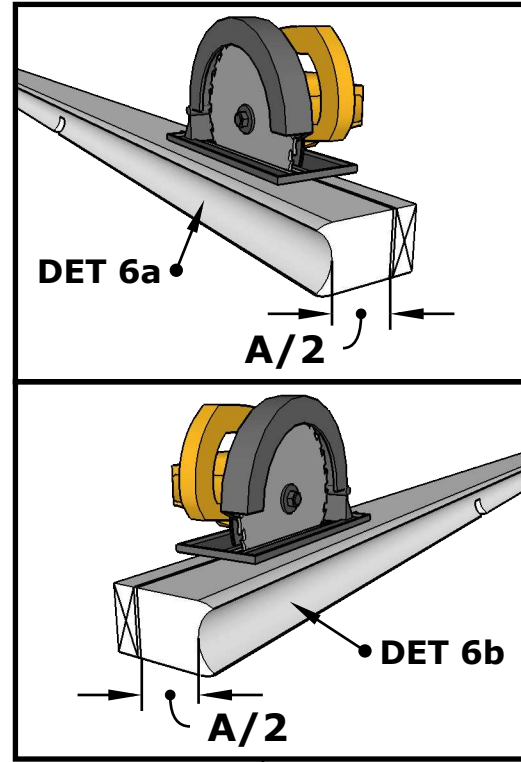
Do not screw it in
all the way.



Sauna 160, Ø200

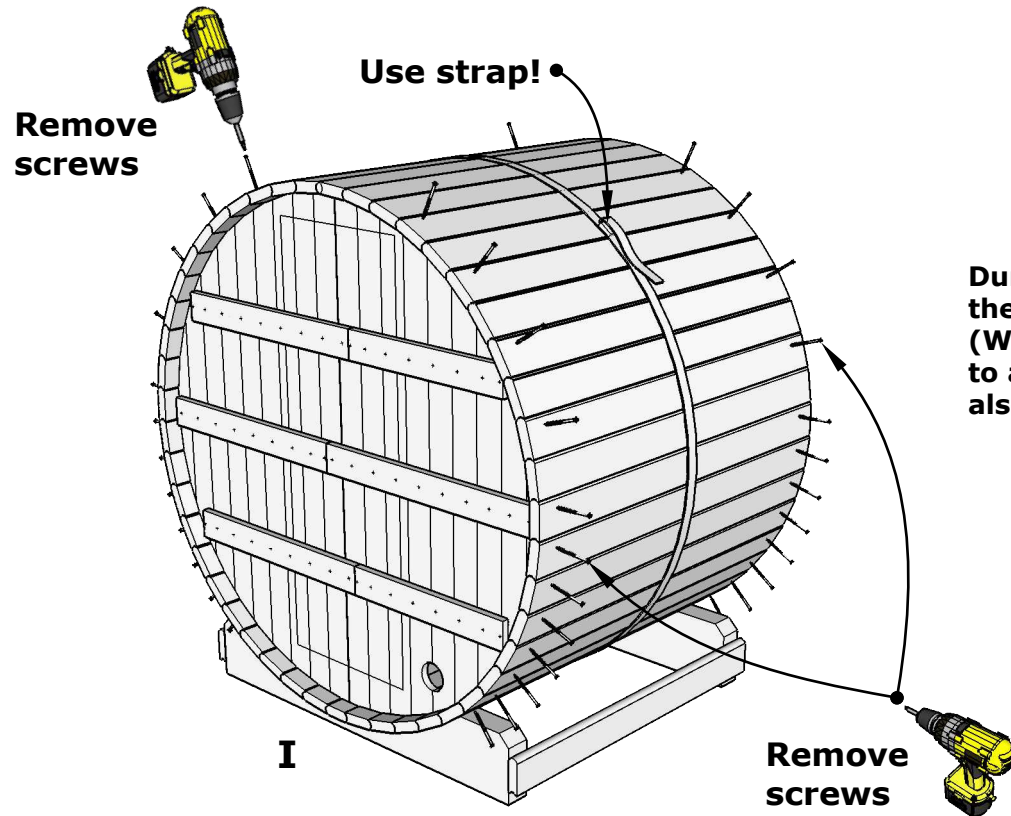
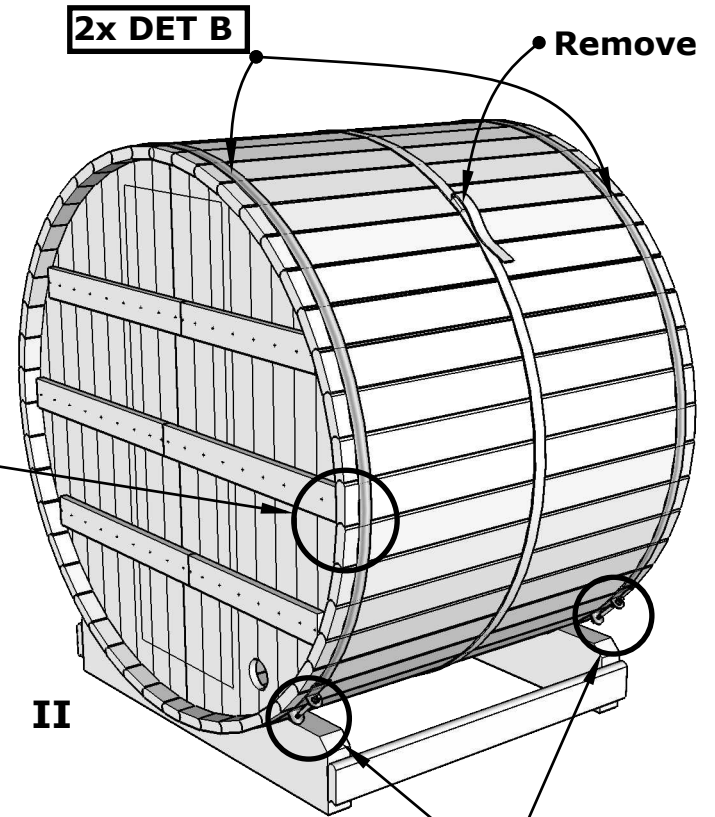
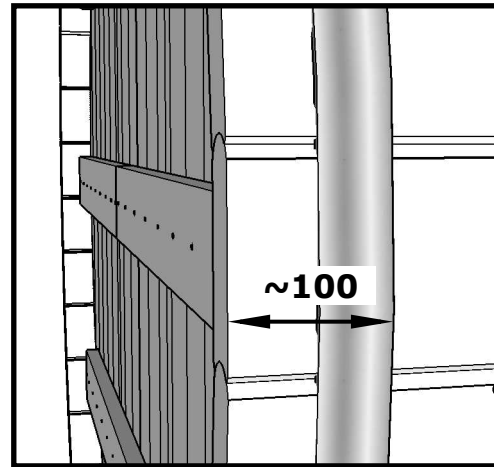
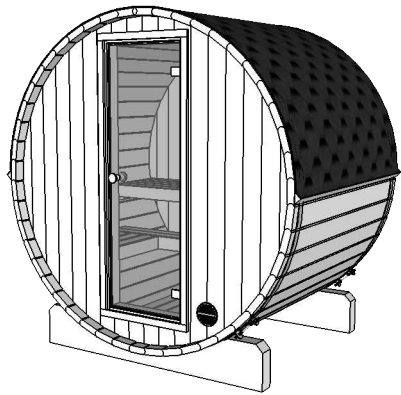


Important !!!

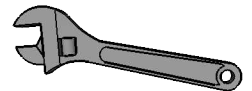
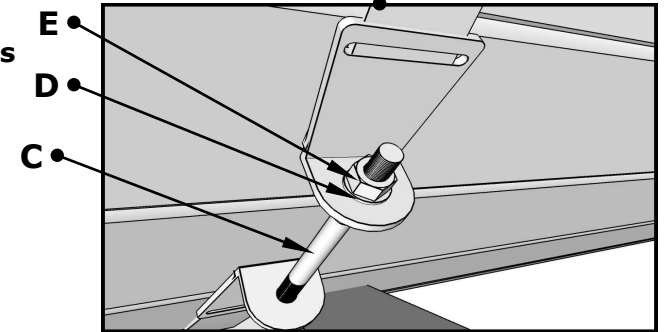


6A.

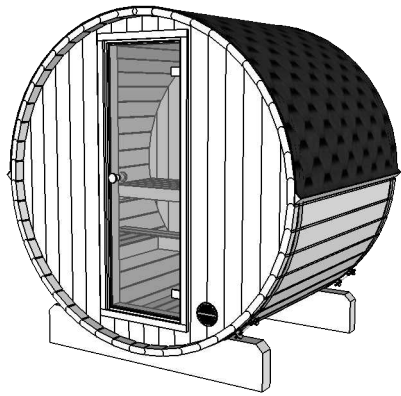
Sauna 160, Ø200



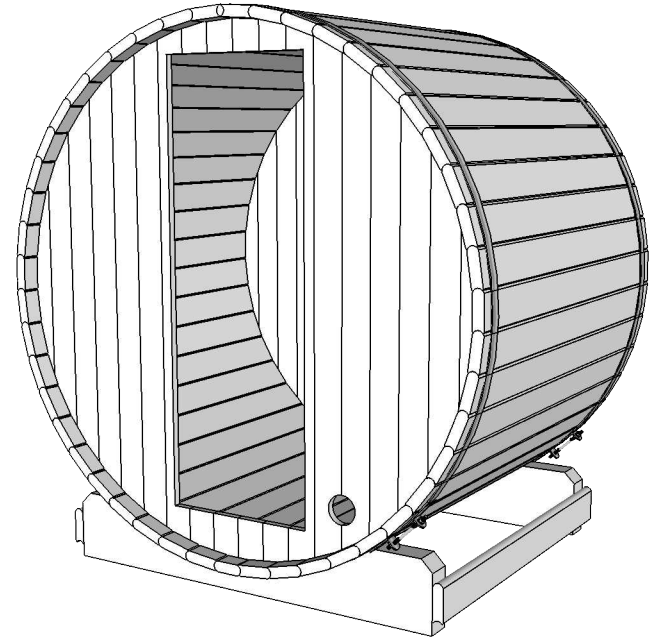
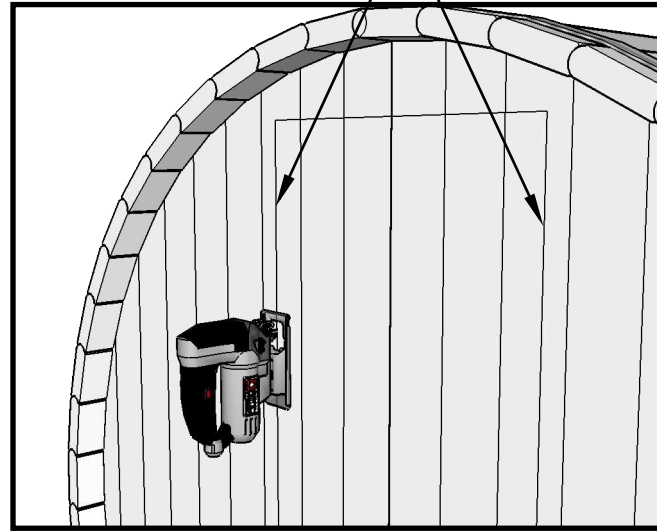
During assembly and retightening the threaded rods, use oil (Würth HPS 1400 or similar) to avoid "cold welding" and it is also easier tightening.



Sauna 160, Ø200

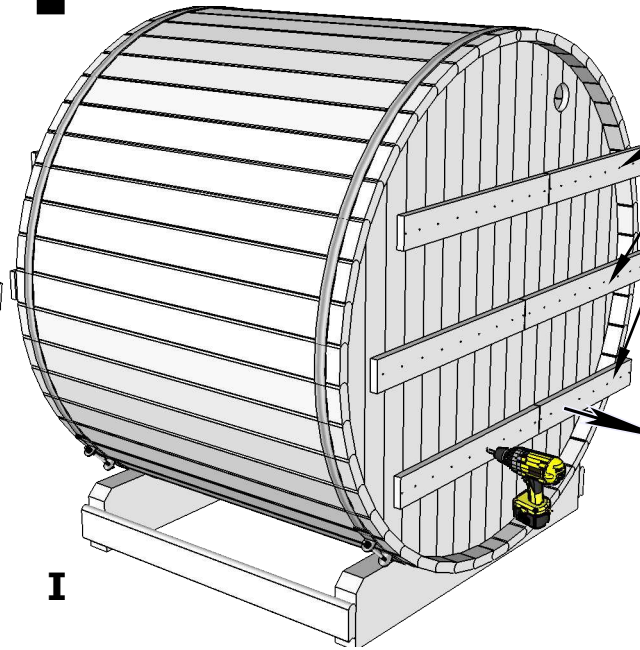
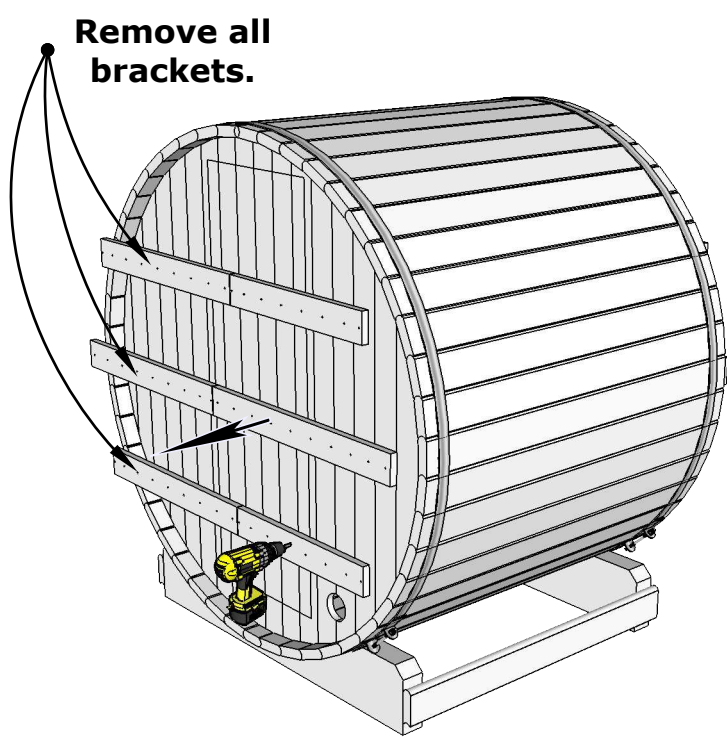


Cut out, follow the guidelines.



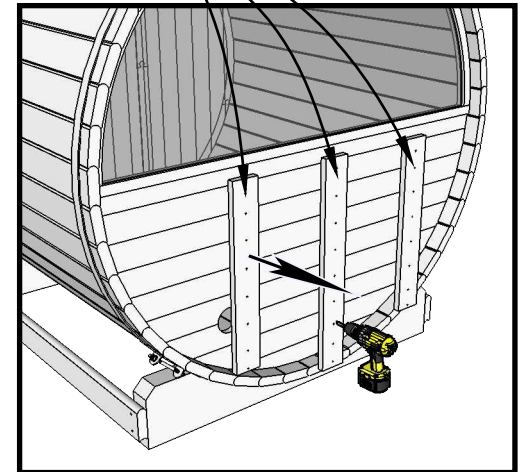
II

Remove all brackets.

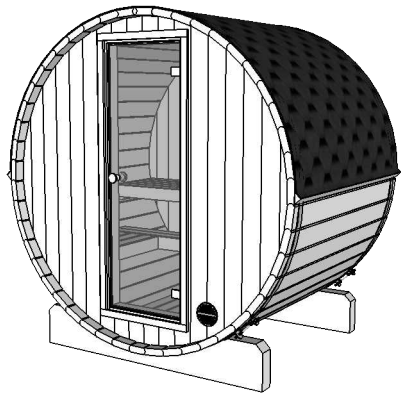


I

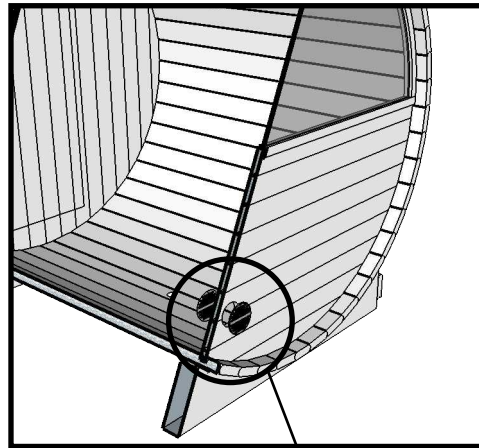
Remove all brackets.



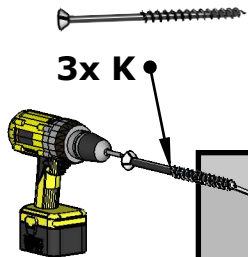
Sauna 160, Ø200



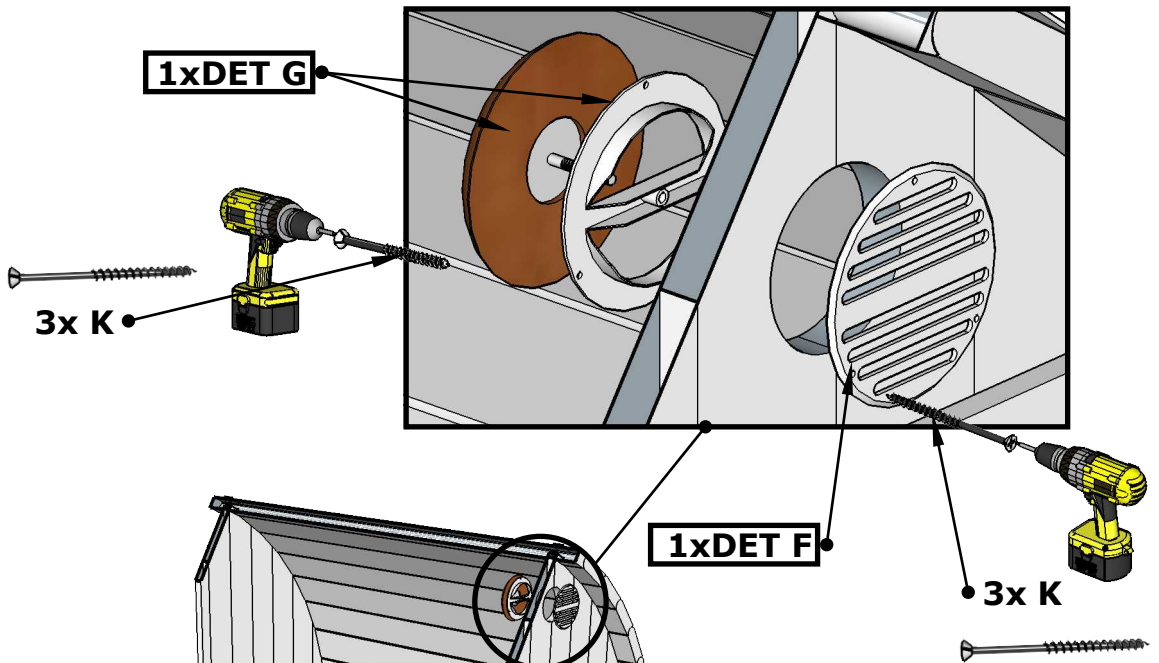
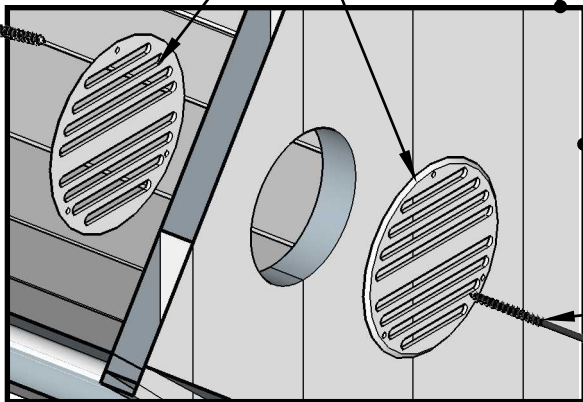
Half moon glass model



2xDET F



3x K

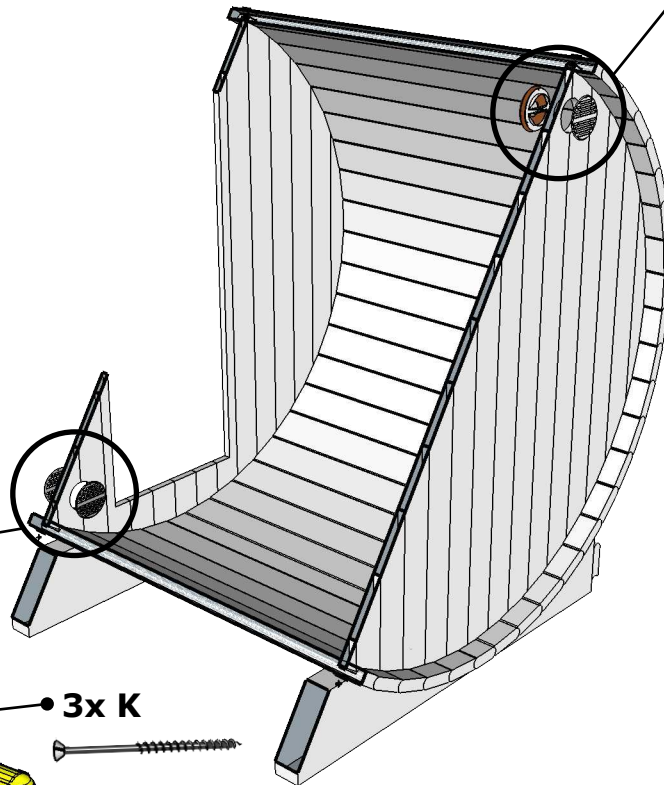


1xDET G

3x K

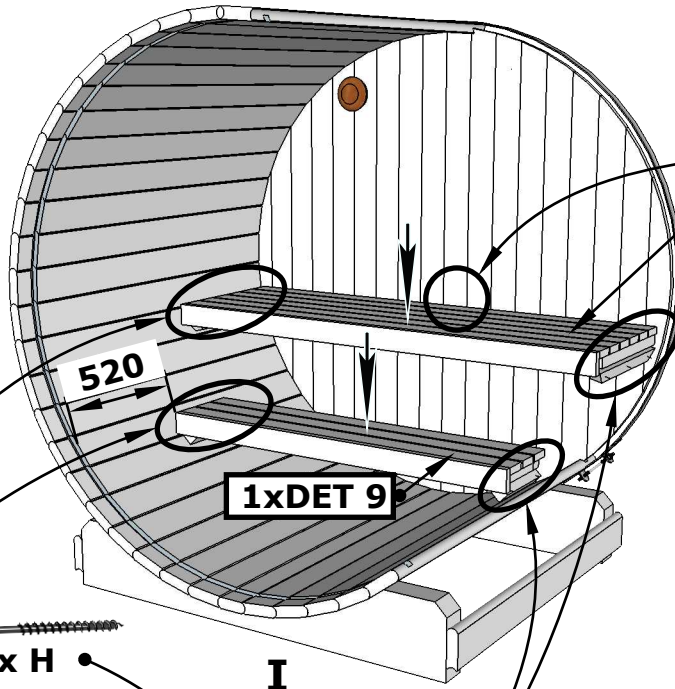
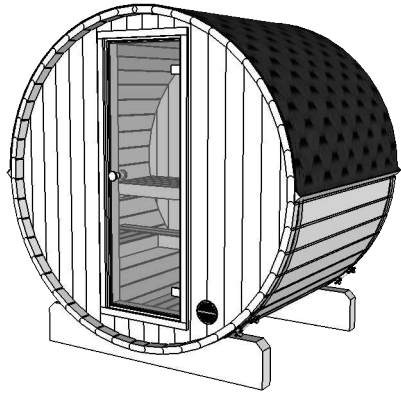
1xDET F

3x K



3x K

Sauna 160, Ø200



2x H

1xDET 8

1xDET 9

1xDET 11

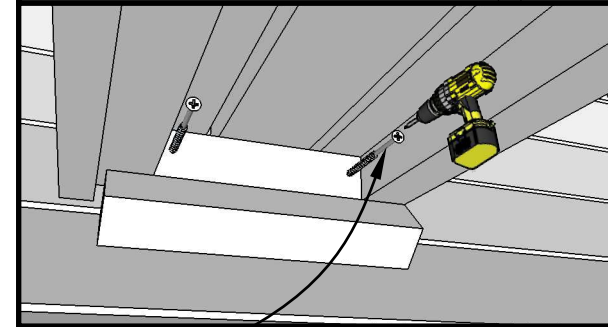
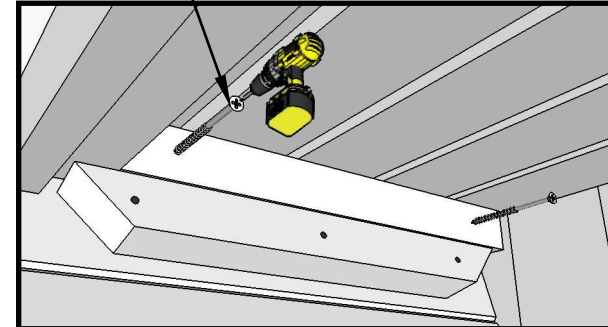
Drill hole Ø4mm before screw

6x H

2xDET 10

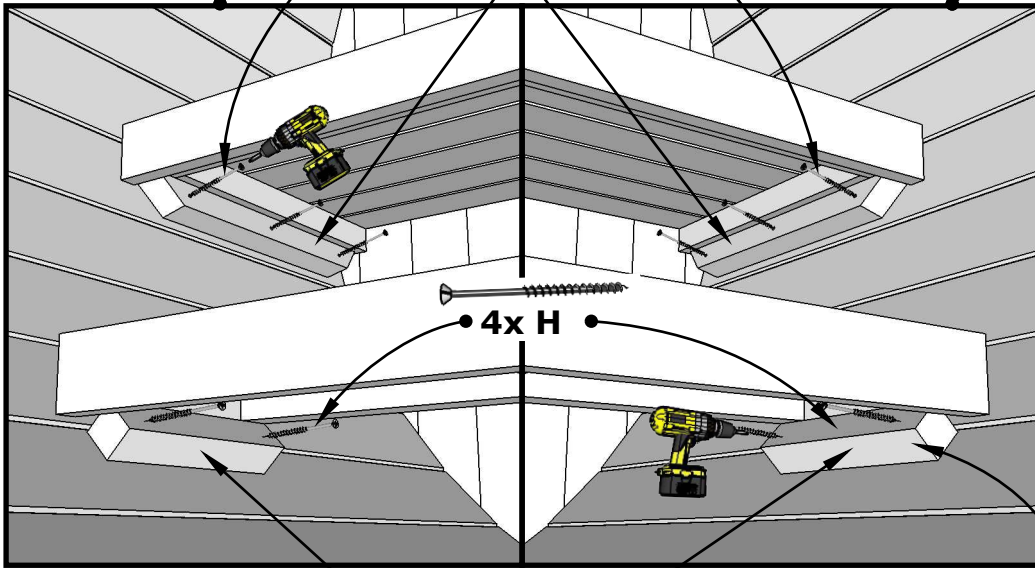
I

4x M



4x M

4x M



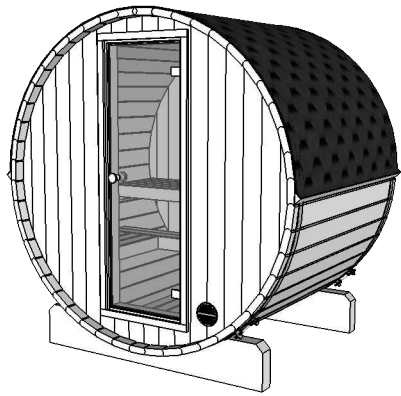
II

III

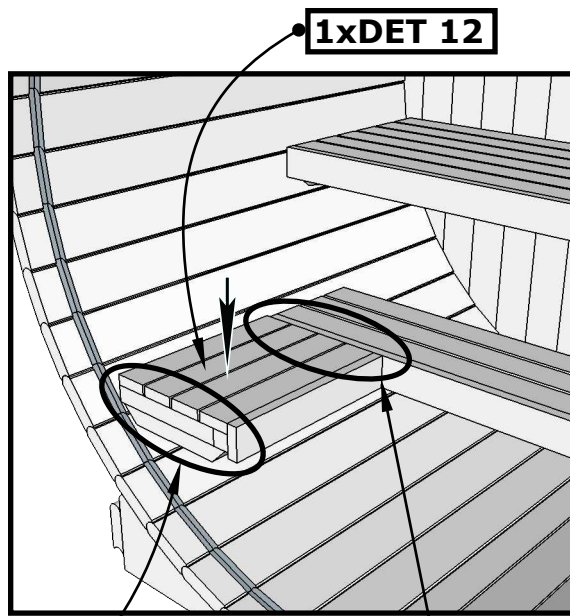
2xDET 12

Drill hole Ø4mm before screw

Sauna 160, Ø200

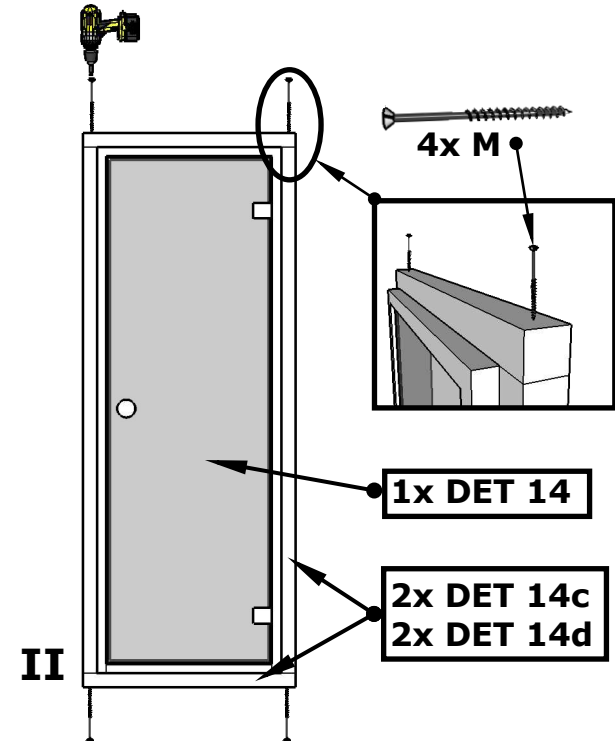
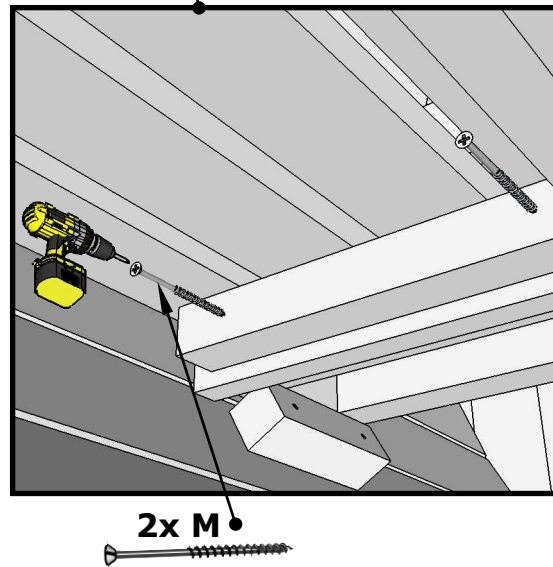
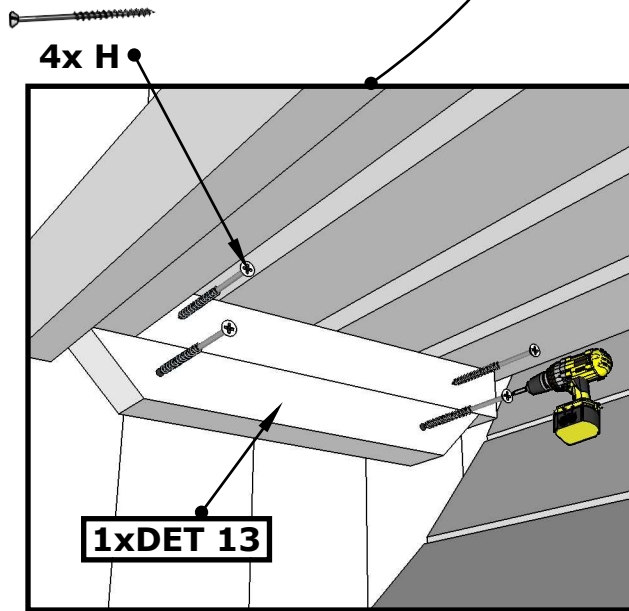
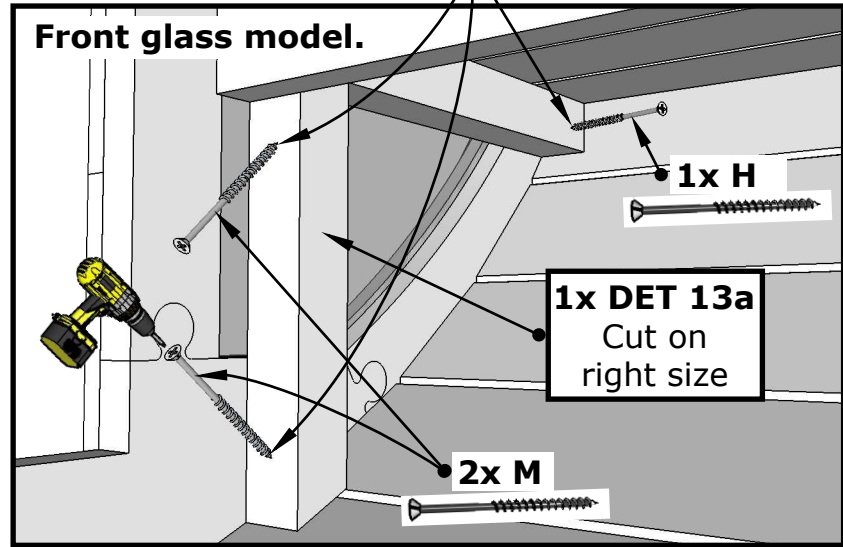


I

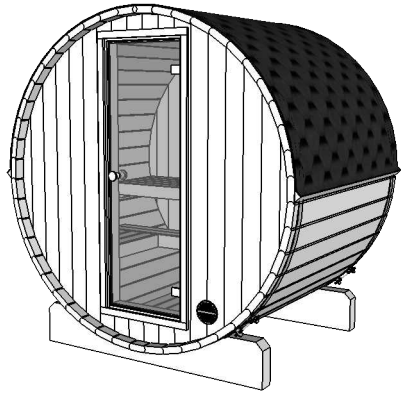


Drill hole Ø4mm
before screw.

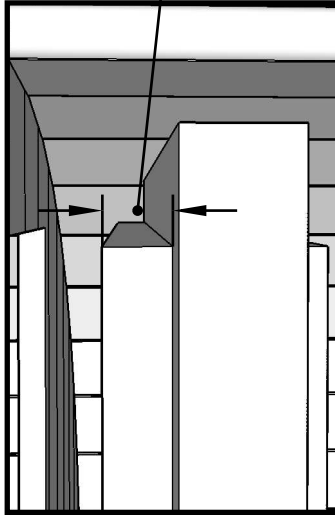
Be careful to not
hit the glass.



Sauna 160, Ø200



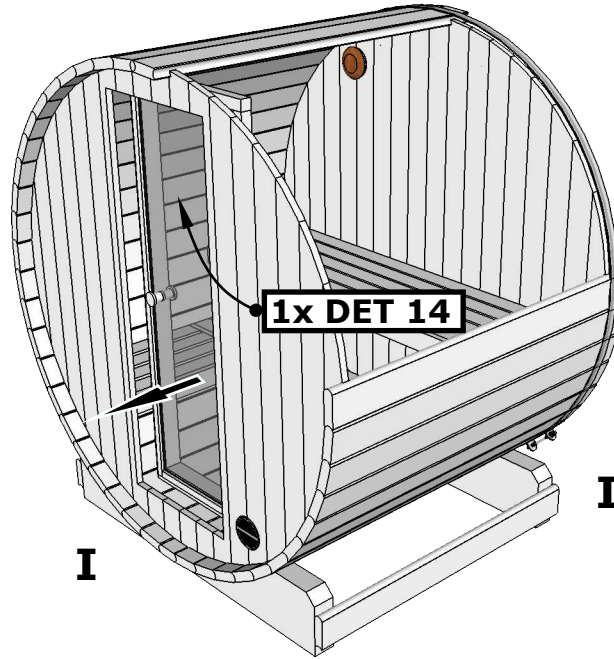
28mm.-Regular wall
43mm.-Glass wall



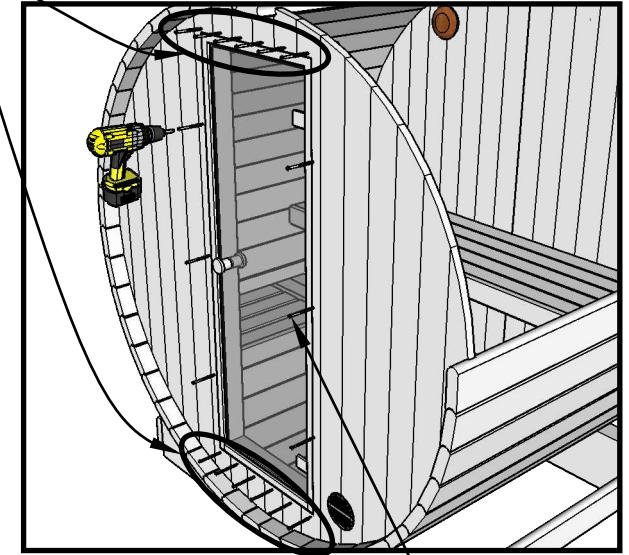
Use waterlevel for door installation.

NB! Install door from inside.

Horizontally fix screw in every board.



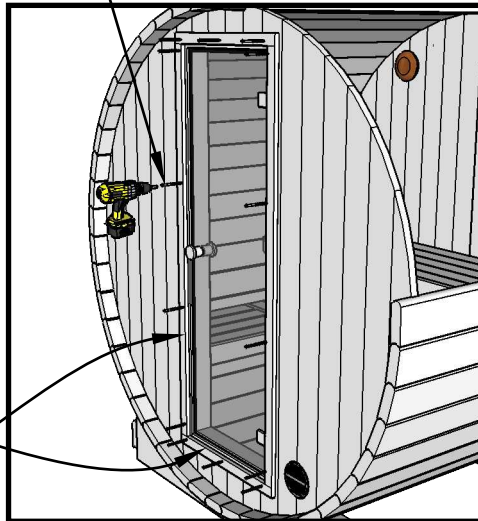
I



II

18x H

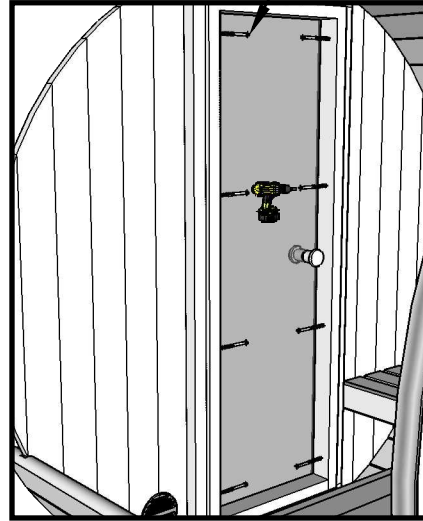
14x J



III

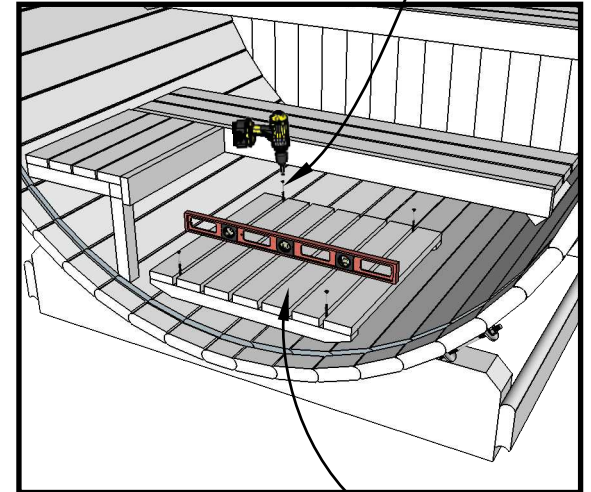
2x DET 14a
2x DET 14b

8x H



IV

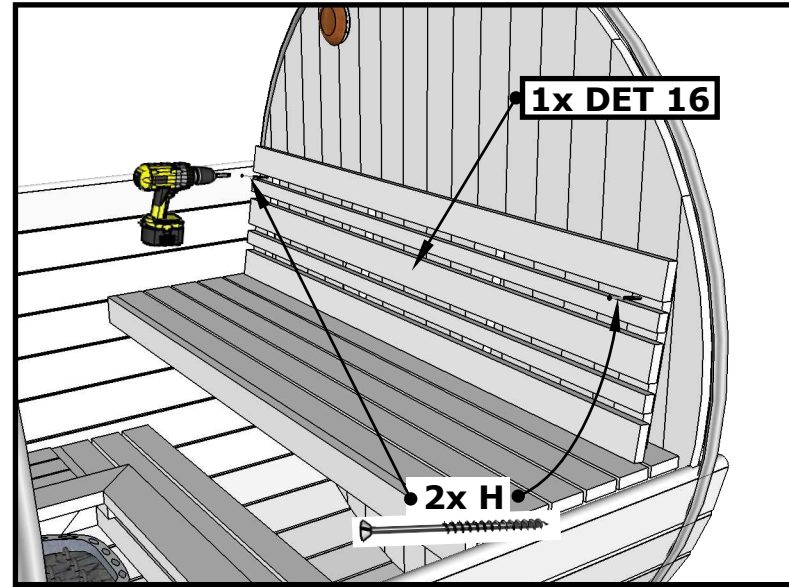
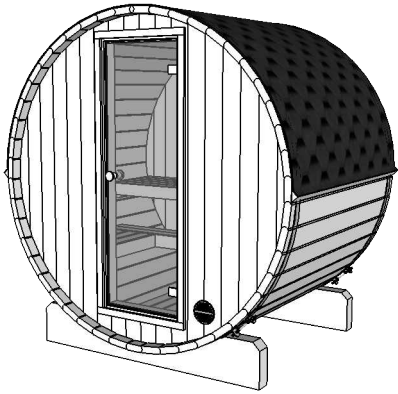
4x H



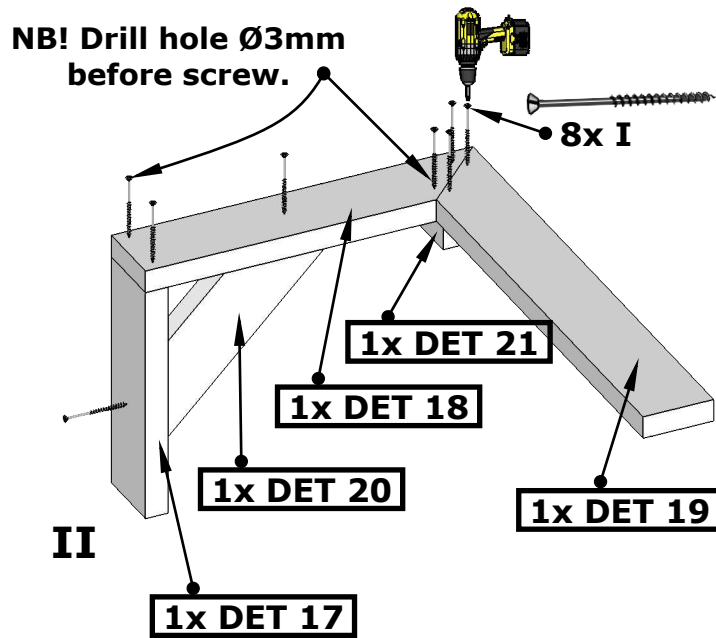
V

1x DET 15

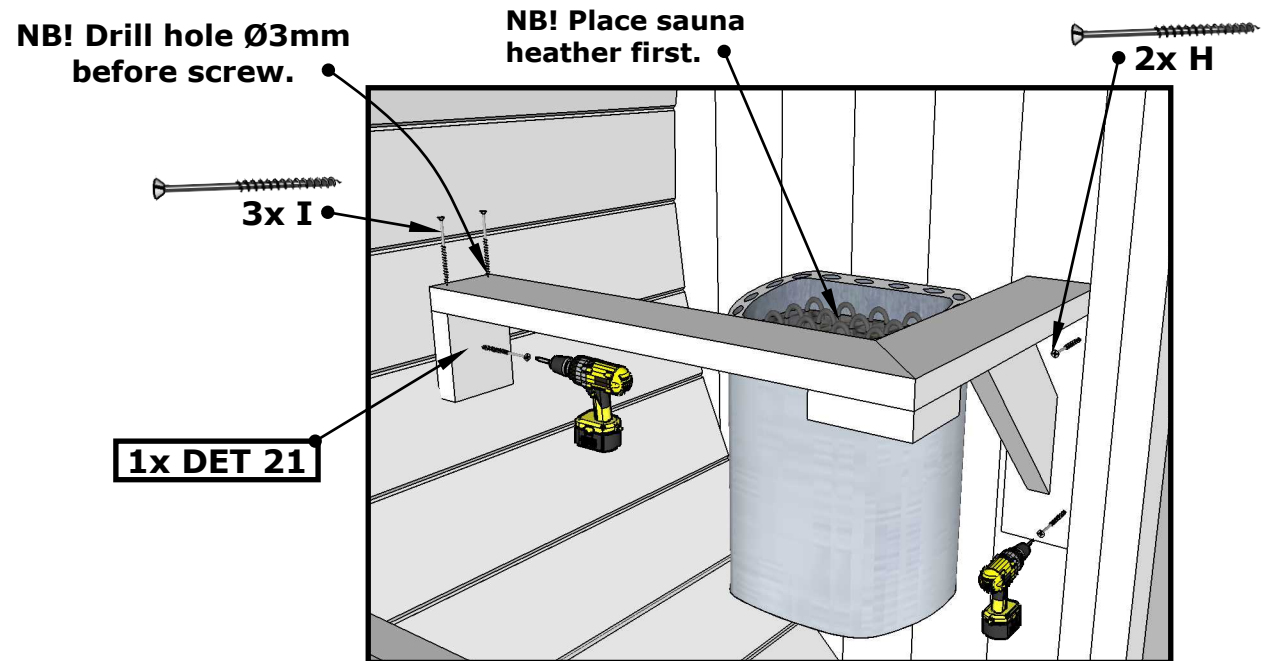
Sauna 160, Ø200



I

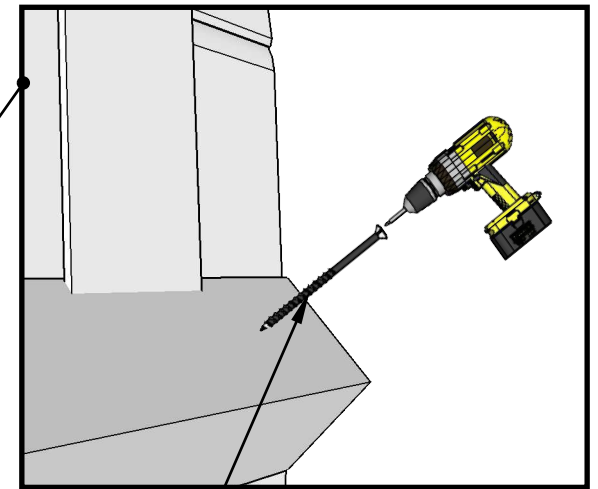
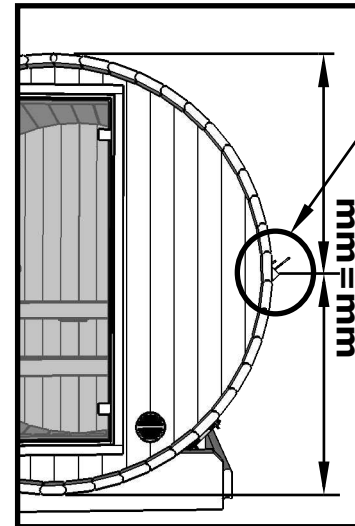
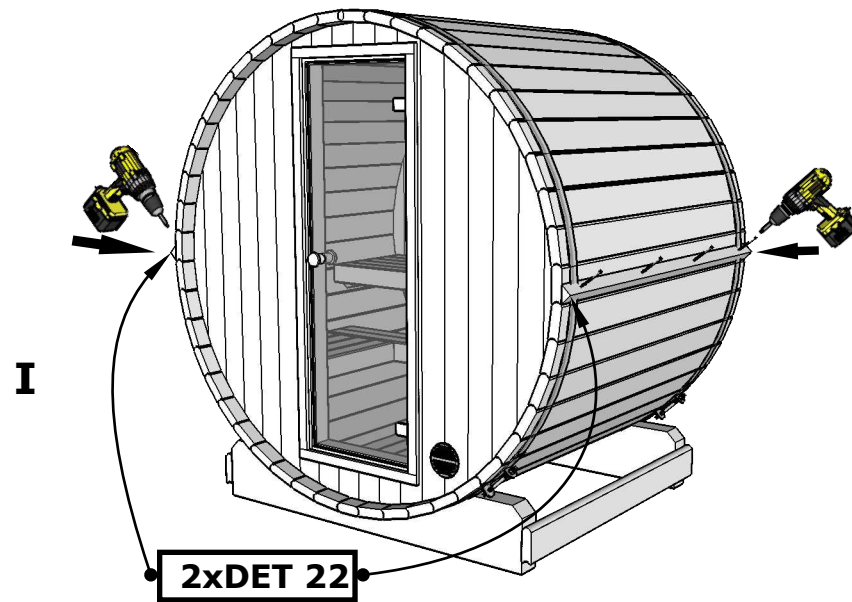
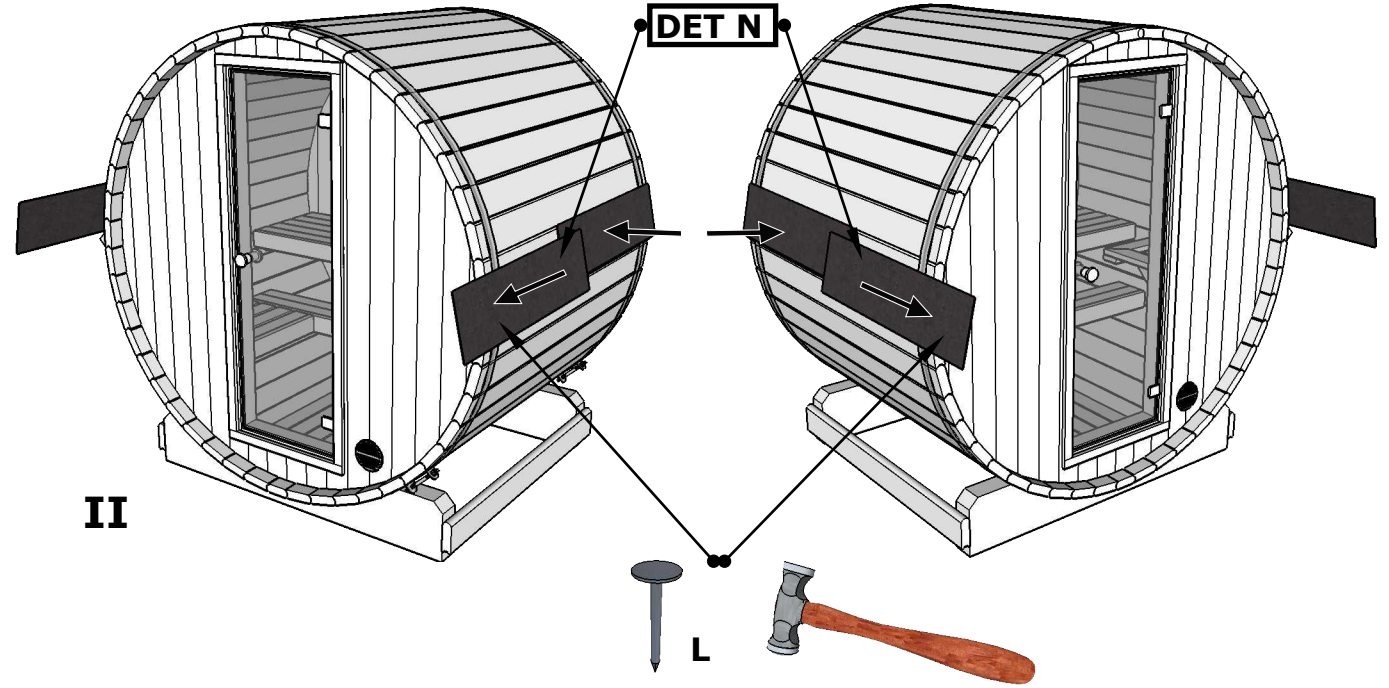
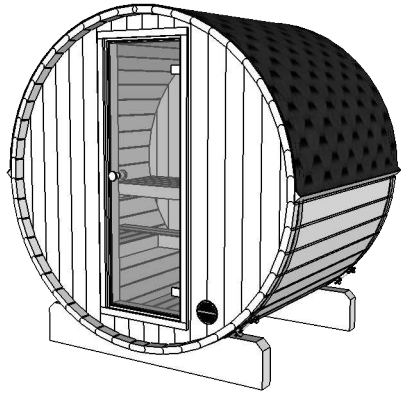


II

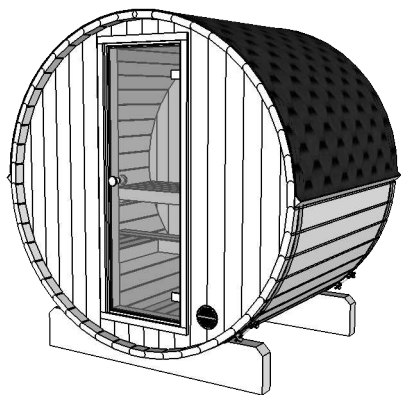


1x DET 21

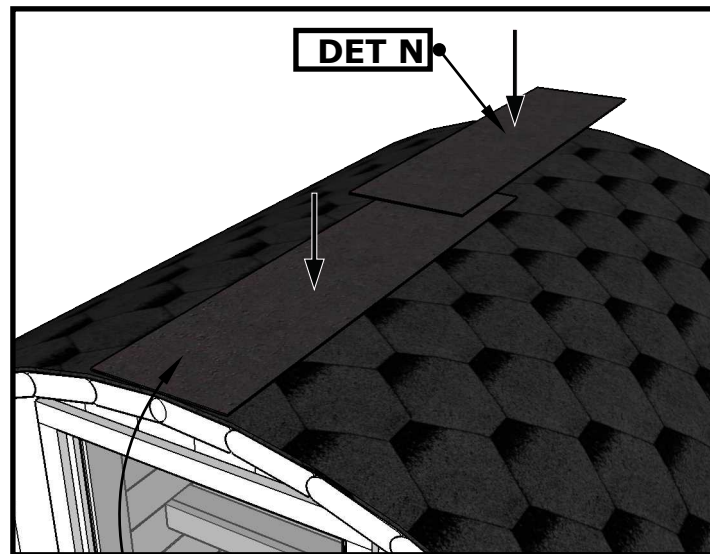
Sauna 160, Ø200



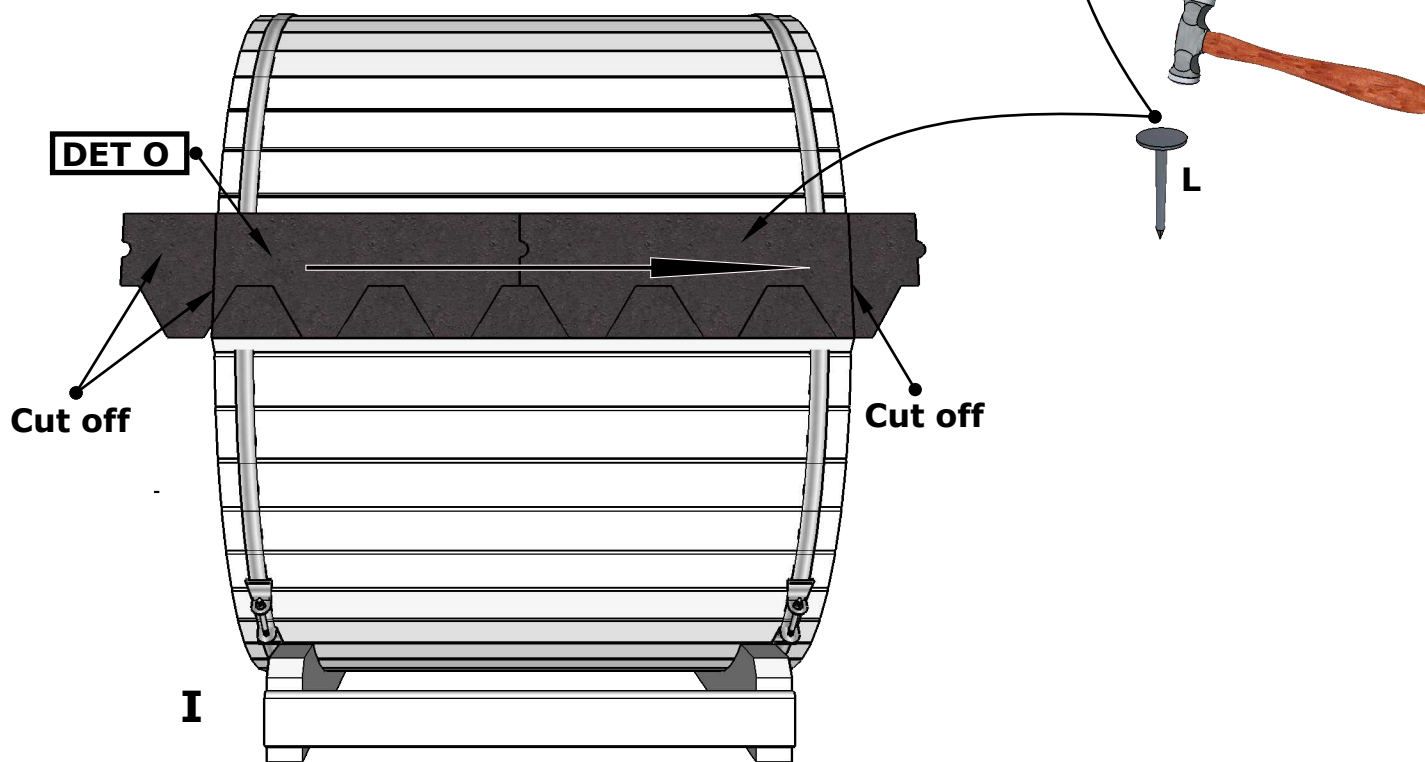
Sauna 160, Ø200



NB! Check also shingles installation manual inside shingles packages.

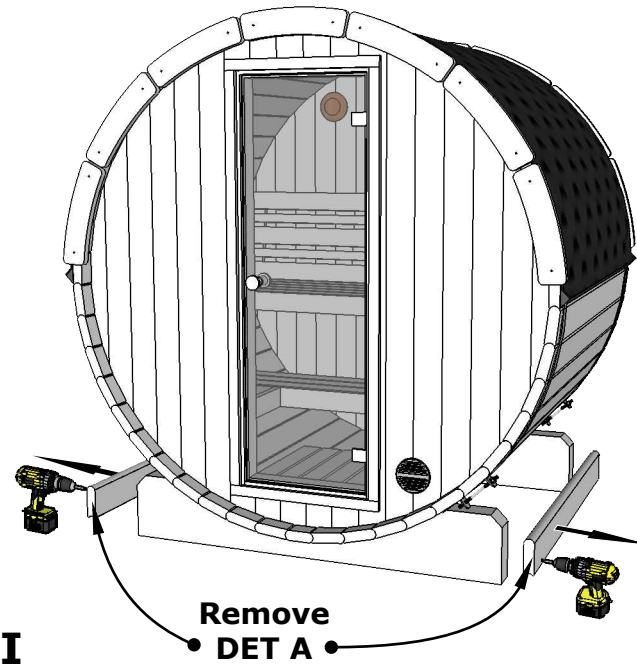
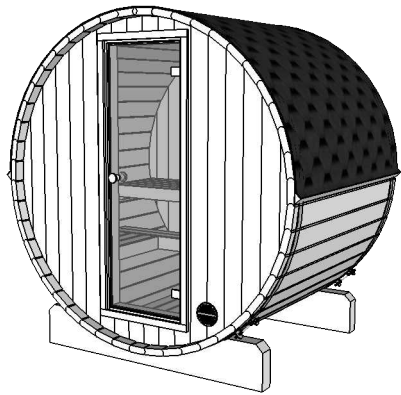


II



I

Sauna 160, Ø200

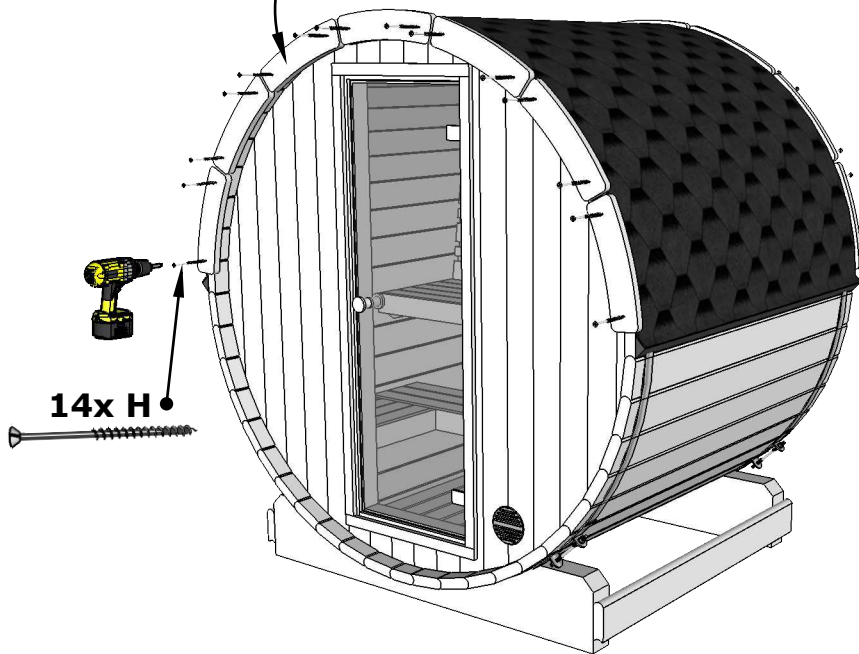


II

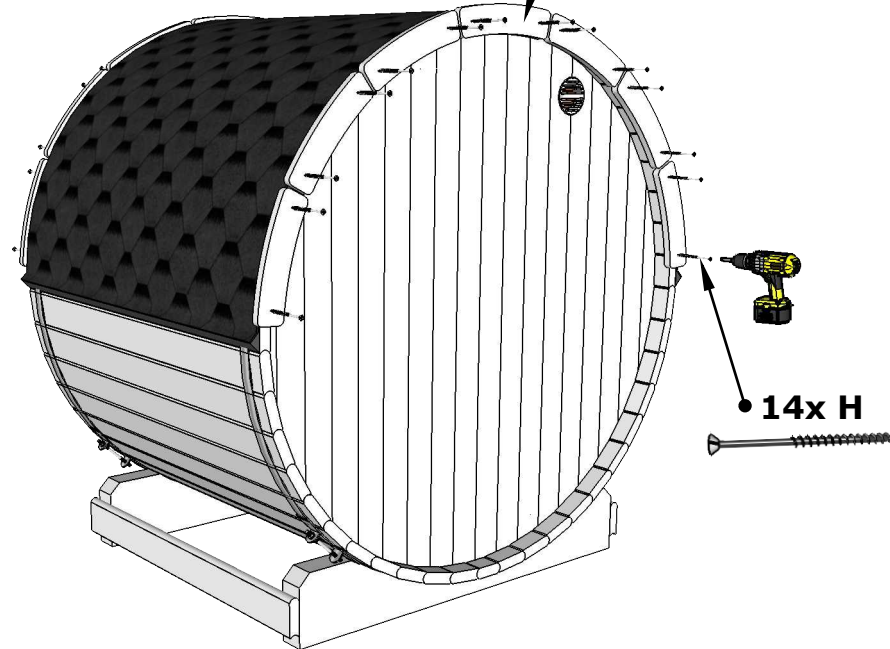
Remove
DET A

7x DET 23

7x DET 23



14x H

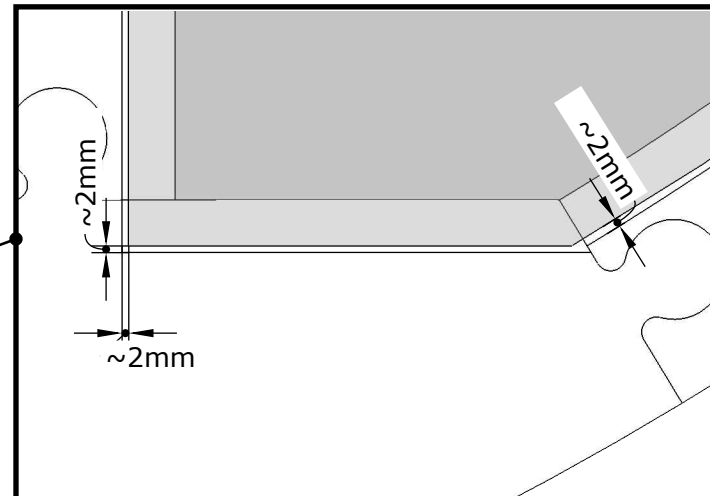
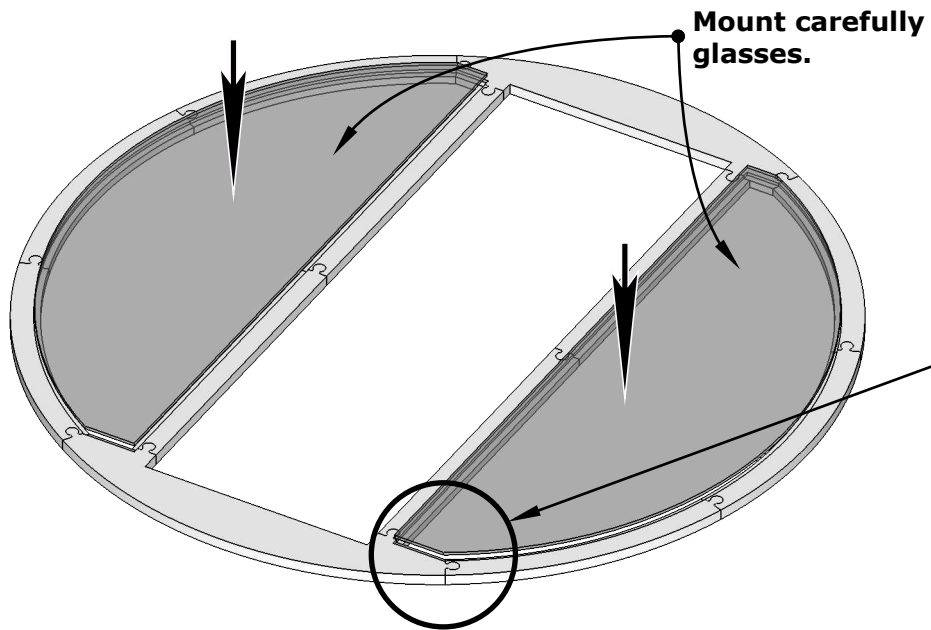
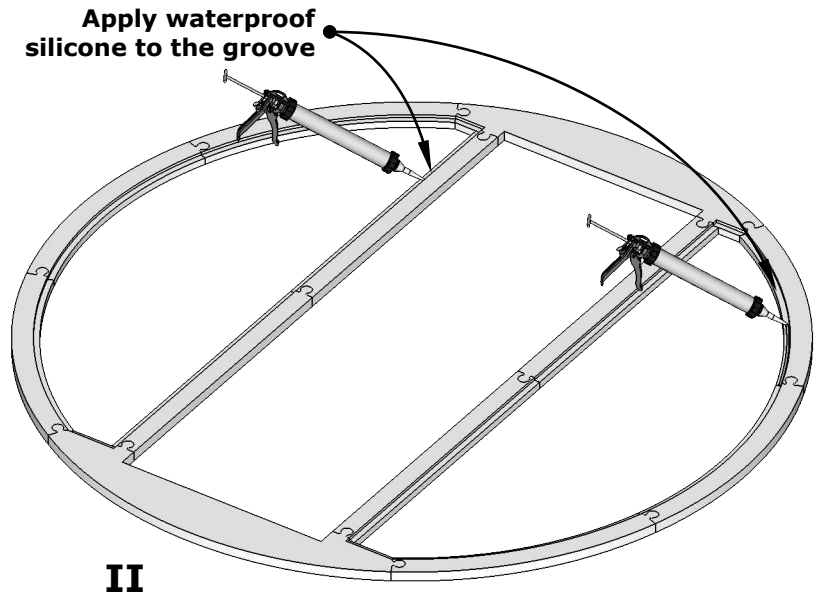
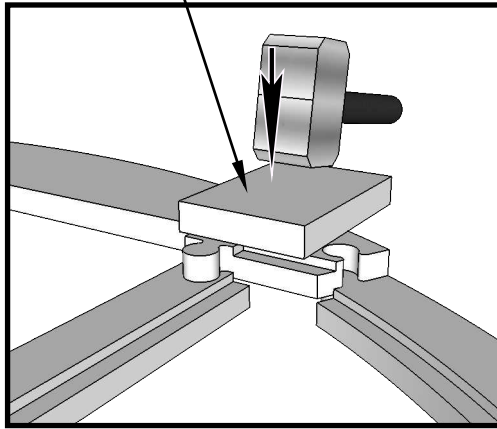
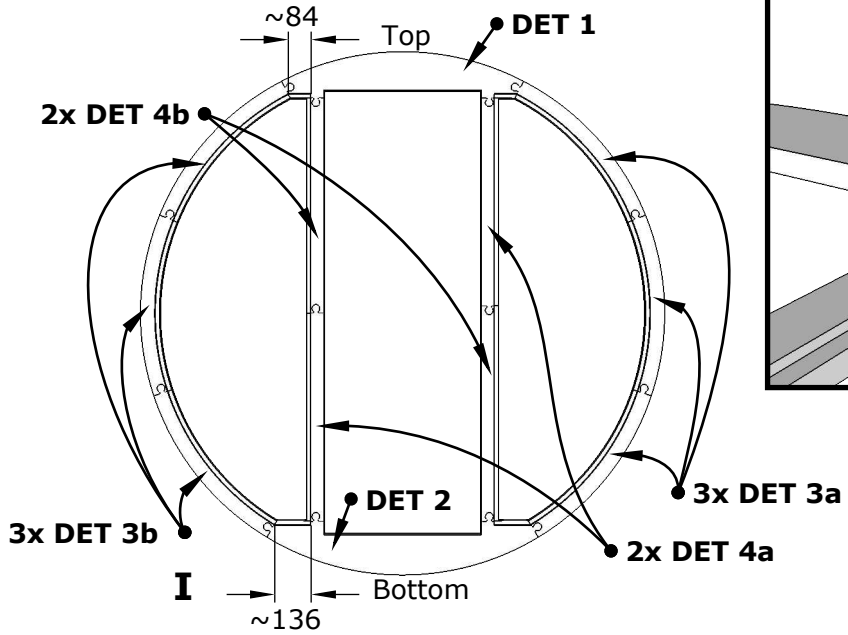


14x H

I

Glass Wall mounting (base frame 28 mm.)

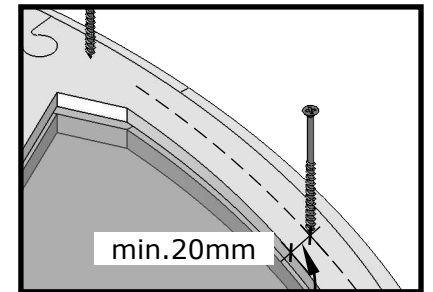
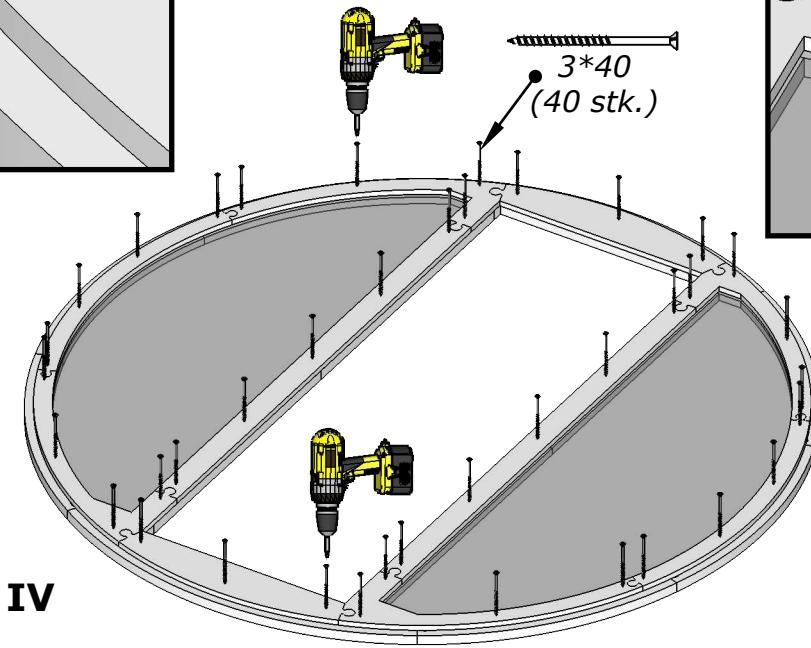
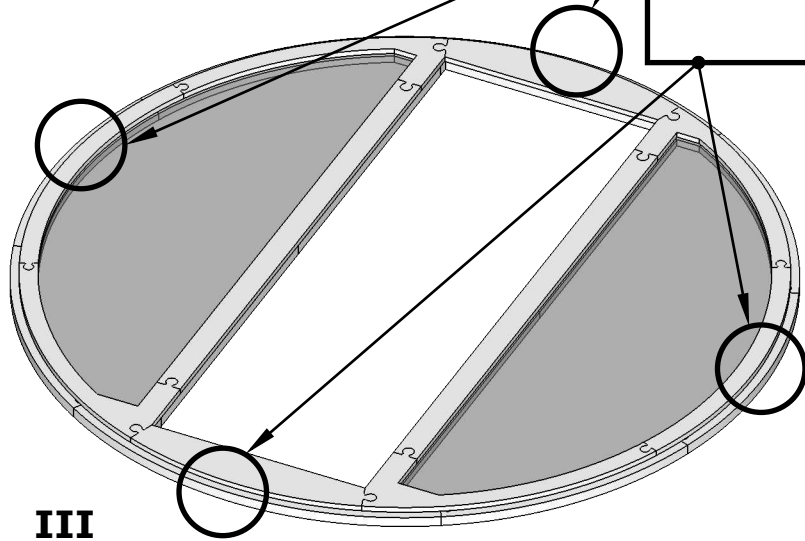
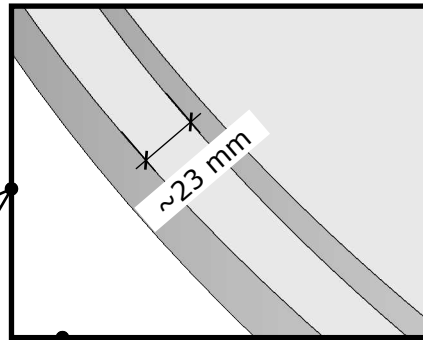
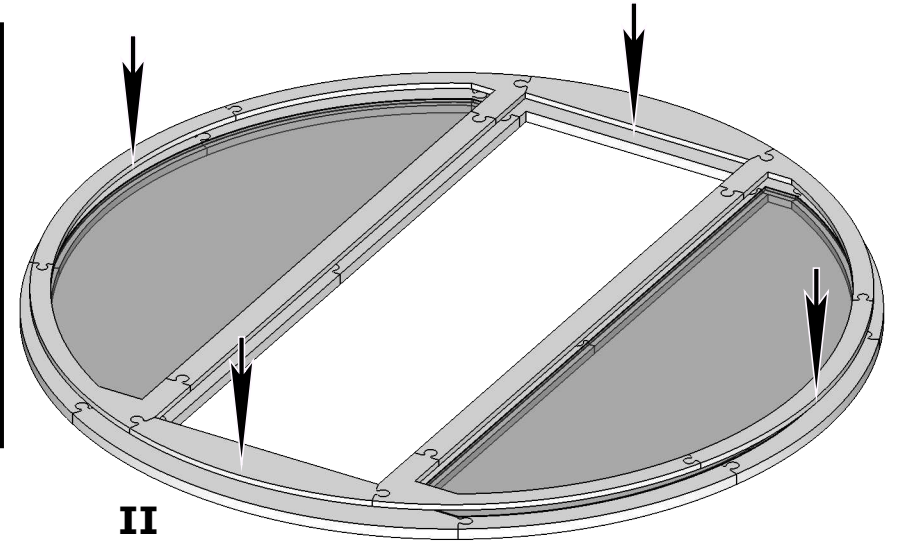
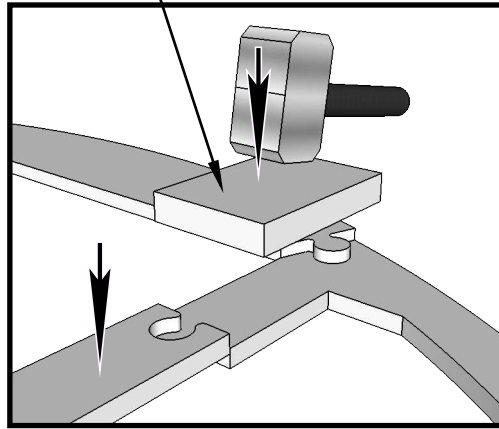
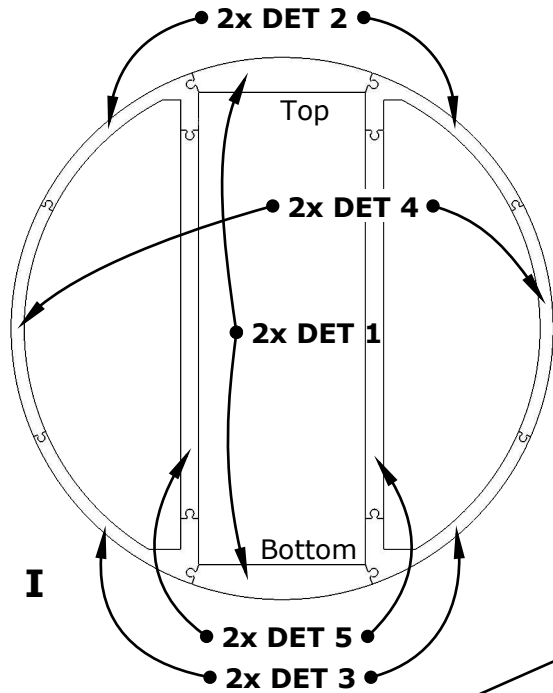
Use piece of wood to protect plywood



III

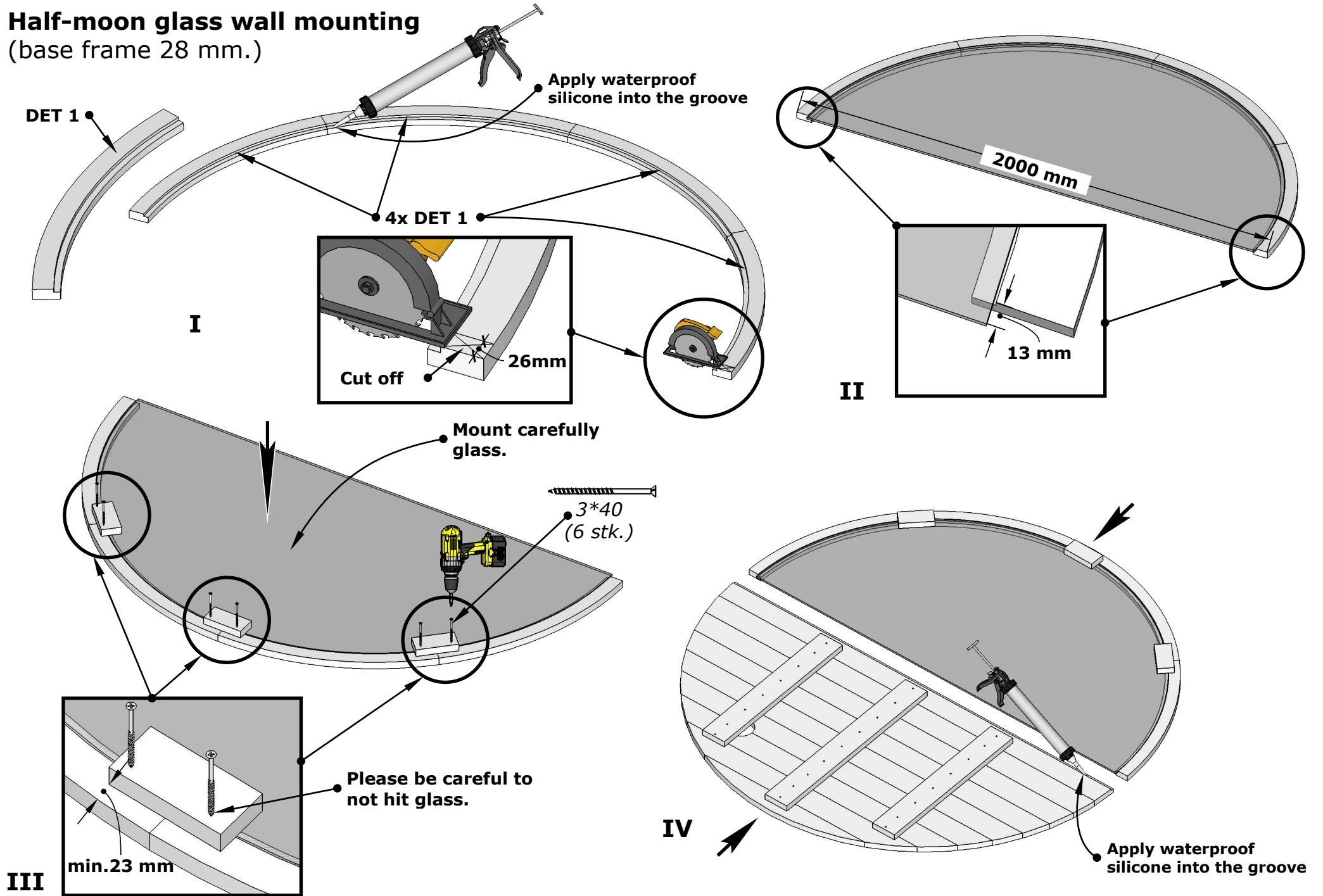
Glass Wall mounting (cover frame 15 mm.)

Use piece of wood to
protect plywood

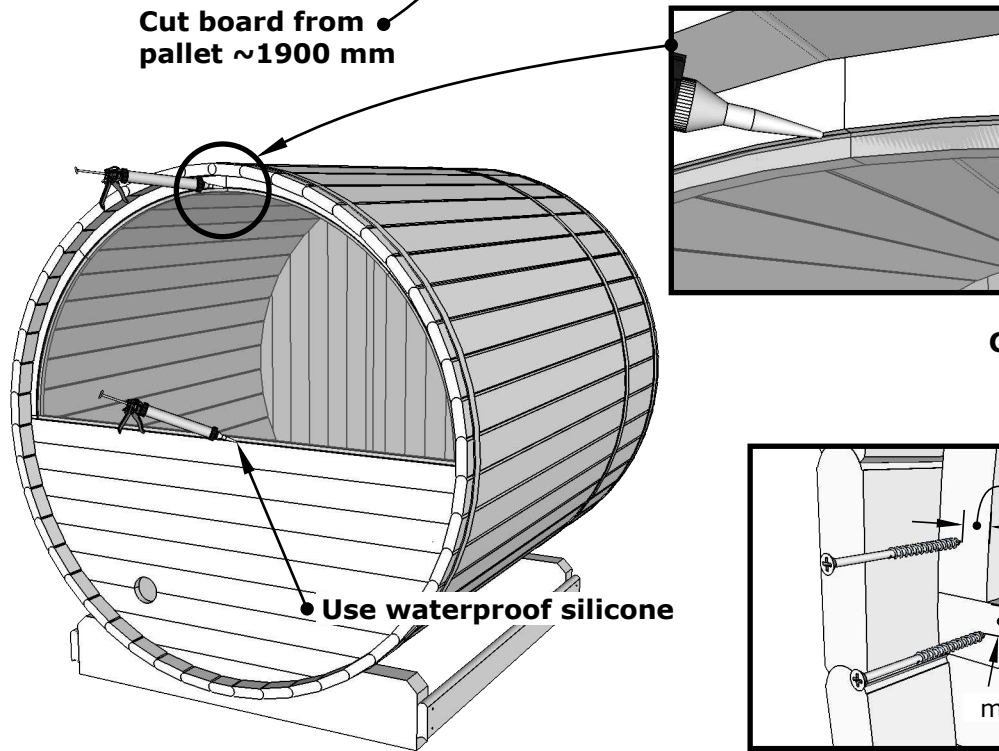
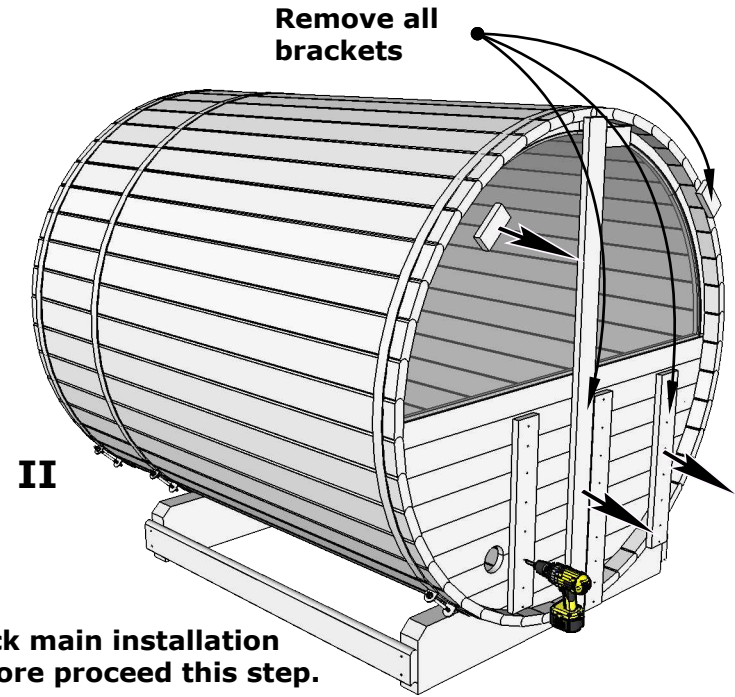
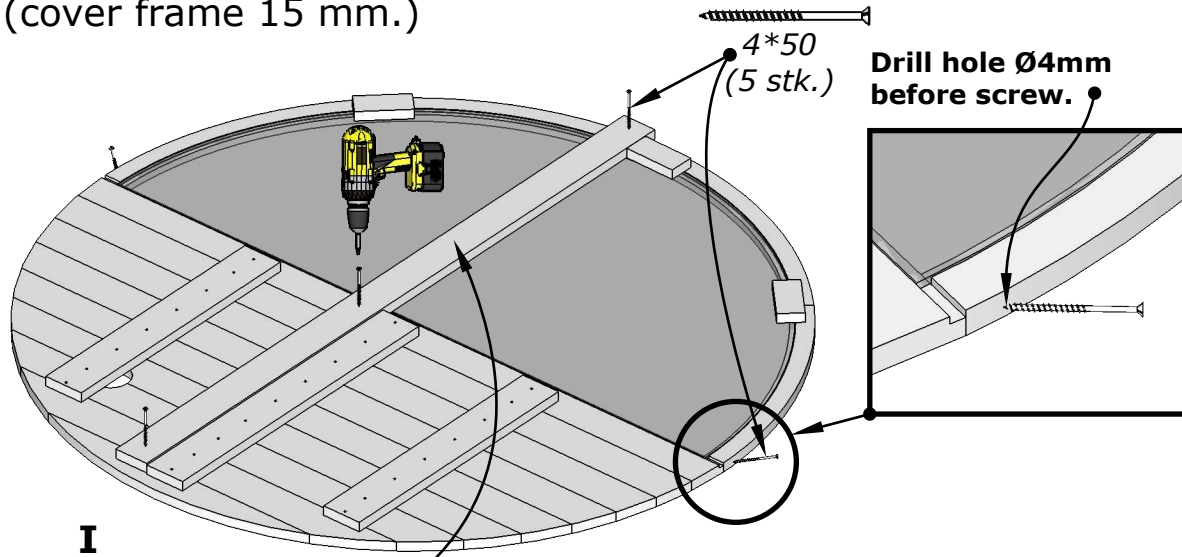


**Please be careful!!!
Do not hit the glass
with the screw.**

Half-moon glass wall mounting (base frame 28 mm.)



Half-moon glass wall mounting (cover frame 15 mm.)



Please check main installation
manual before proceed this step.

